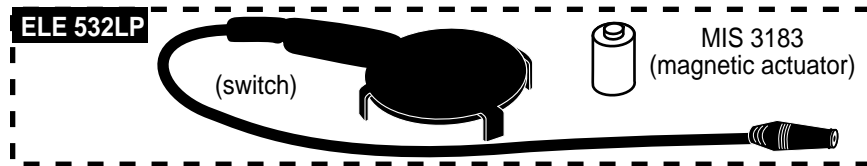


# Flavor Burst™

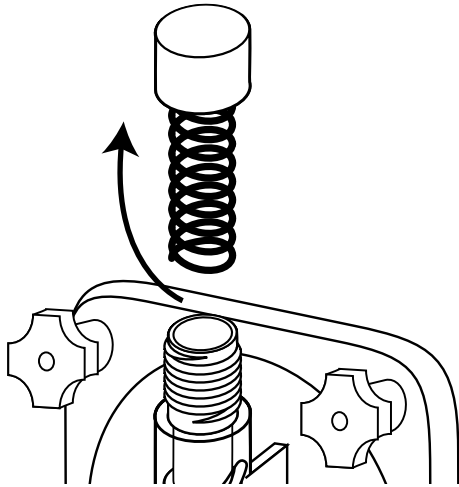
## ELE 532LP Switch Kit for No-Pressure FCB Freezer Models

### Installation

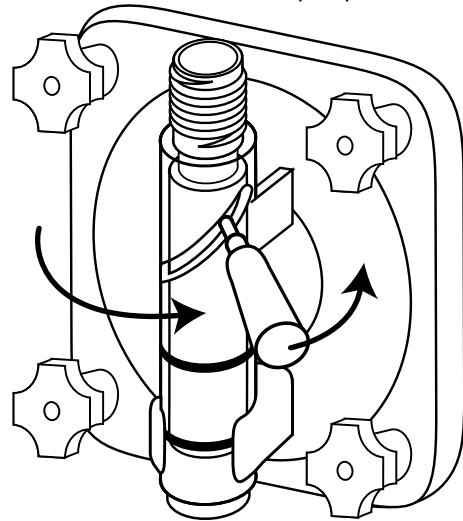
This switch is specifically designed for use with Taylor® “Non-Pressurized” FCB freezer models C300 NPR, C302 NPR, and C303NPR. This switch will also fit models 345 NPR, 346 NPR, 355 NPR, and 349 NPR. Used in conjunction with the magnetic pin, it activates the Flavor Burst® system when the pull handle is in open position to draw a serving. For more information, please contact your local Flavor Burst® distributor.



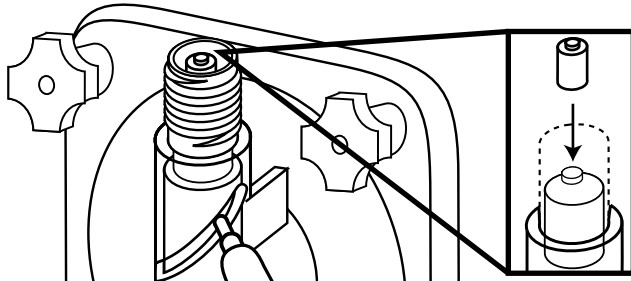
- 1** Remove the spout cap and the spring from the freezer door.



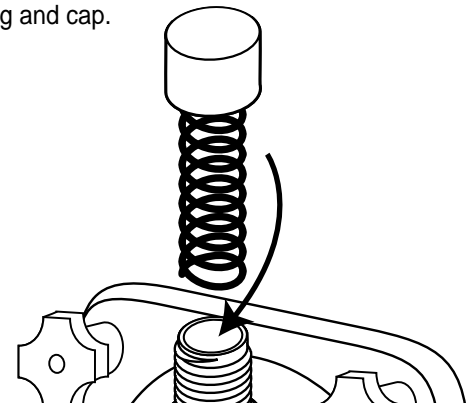
- 2** Pull the draw handle into the open position.



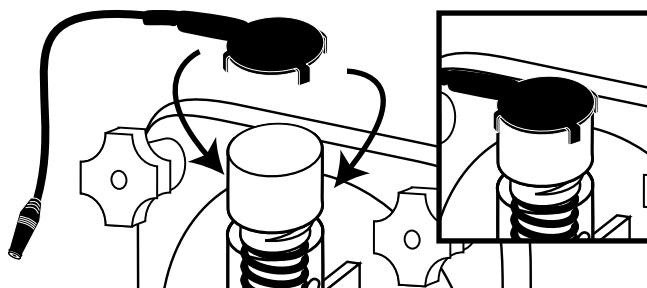
- 3** Place the magnetic actuator over the metal pin inside the door spout tube.



- 4** Return the draw handle to the closed position and reinstall the spring and cap.



- 5** Place the switch assembly over the cap so that it is centered over the hole.



- 6** Connect the switch to the Keypad to complete the installation.

