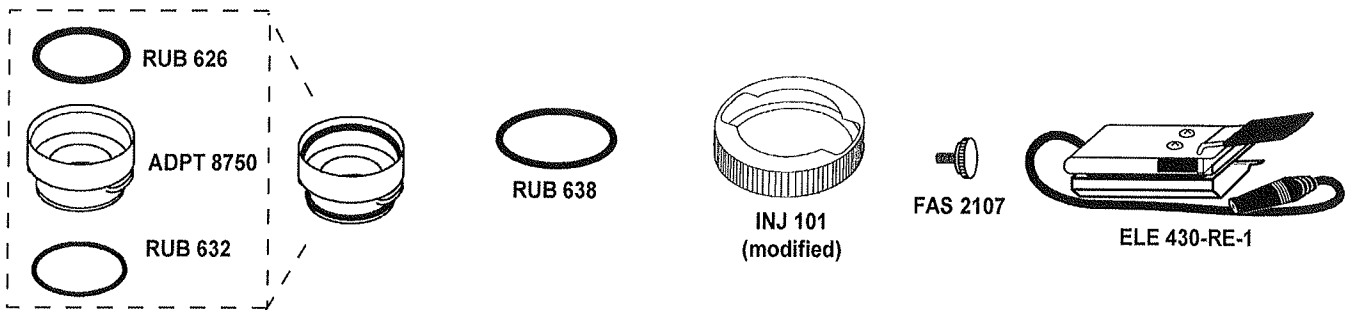


Flavor Burst®

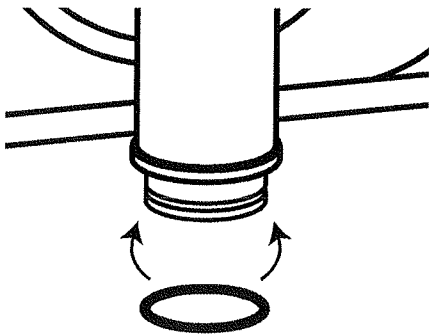
ADPT STL-80A Stoelting® Adapter Kit

Assembly and Installation

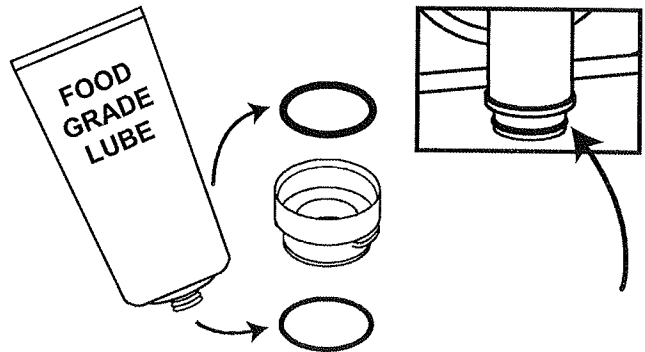
The ADPT STL-80A kit is designed for use with Stoelting® freezer models with draw handles that rotate horizontally. Be sure to contact your local Flavor Burst® distributor if you have special needs for adapting to your specific Stoelting® model.



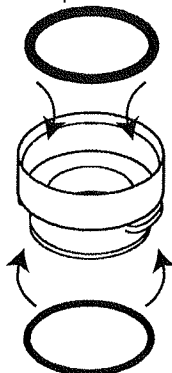
- 1** Install the RUB 638 o-ring onto the spout.



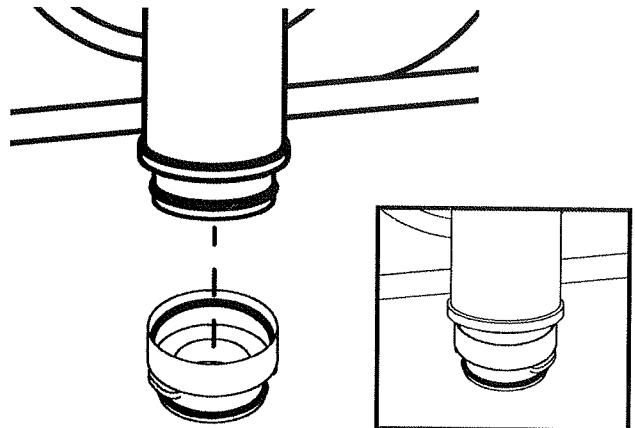
- 2** Apply food grade lube to the o-ring on the spout and to the adapter o-rings.



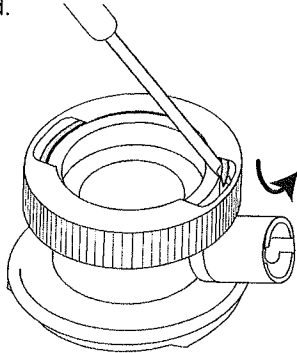
- 3** Install the RUB 626 o-ring on the inside at the top of the adapter. Install the RUB 632 o-ring on the outside at the bottom of the adapter.



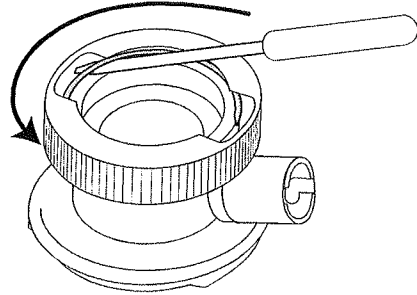
- 4** Install the adapter onto the freezer spout to complete the installation.



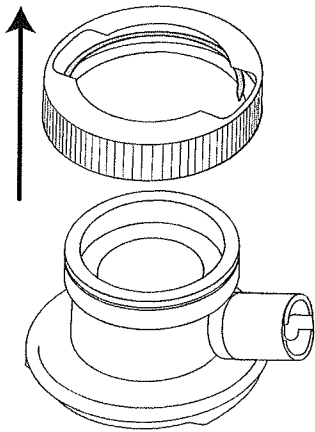
5 Wedge a small tool under one end of the inner ring of the Injector Head.



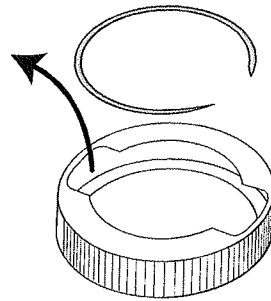
6 Rotate the tool around to lift the ring out of the groove and over the top of the inner opening ledge.



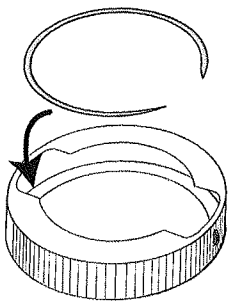
7 Remove the Injector Head locking collar from the assembly.



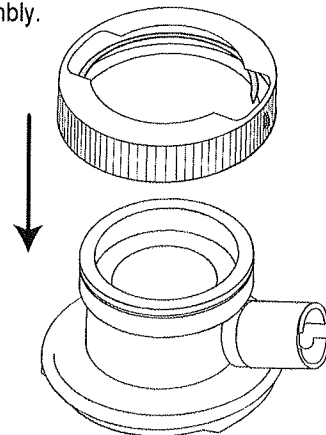
8 Remove the inner ring from the locking collar.



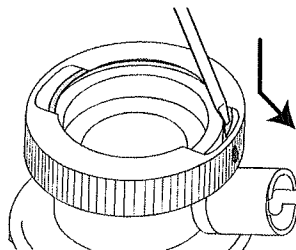
9 Place the metal ring inside the new modified locking collar.



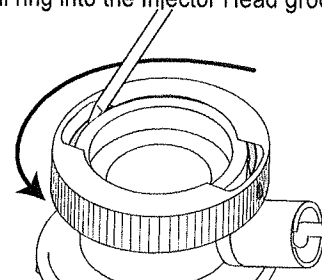
10 Place the modified locking collar onto the Injector Head assembly.



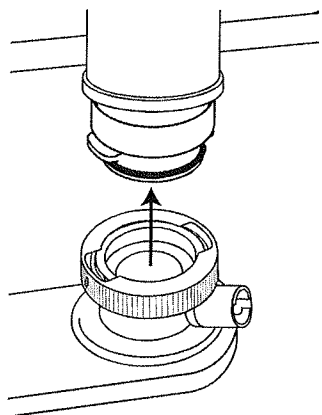
11 Use the small tool to push the end of the inner metal ring to the outside of the Injector Head and into the groove.



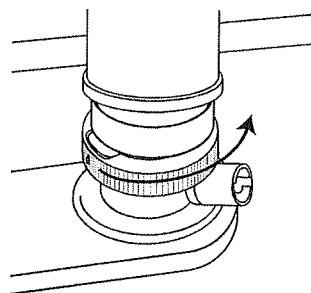
12 Work the tool around the Injector Head to pop the entire metal ring into the Injector Head groove.



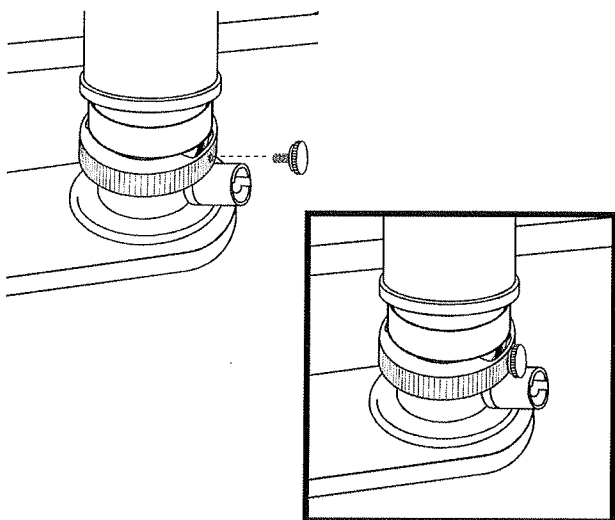
- 13** Assemble the Injector Assembly as instructed in the Operations Manual and install it on the freezer spout.



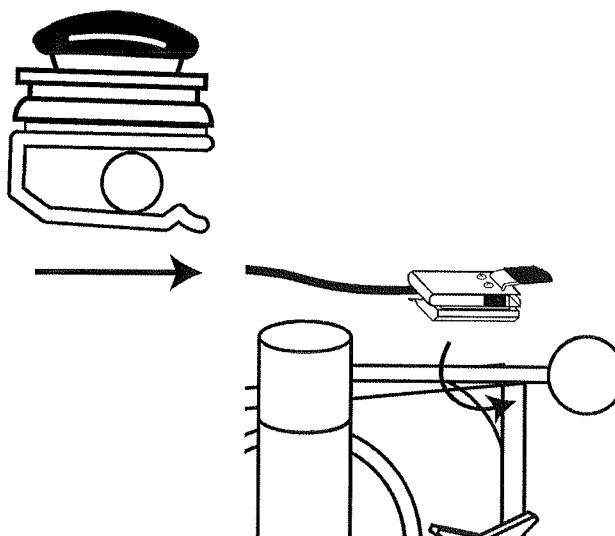
- 14** Rotate the locking collar approximately 90 degrees (one-quarter turn) around the adapter tabs.



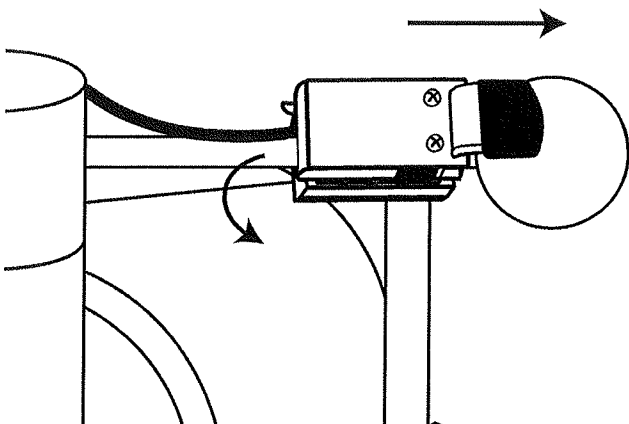
- 15** Install the locking collar thumb screw into the locking collar and tighten till the locking collar is no longer mobile.



- 16** Slide the Switch Assembly onto the draw-handle bar.



- 17** Turn the switch to the side and position it up towards the end of the draw-handle bar.



- 18** Be sure to fully engage the Spigot Switch jack to the keypad jack for normal operation. Do not neglect to check this connection during daily startup.

