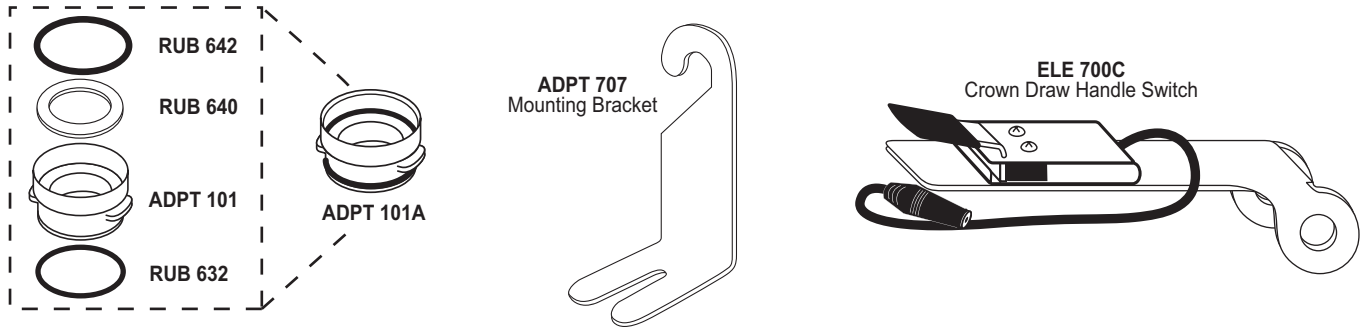


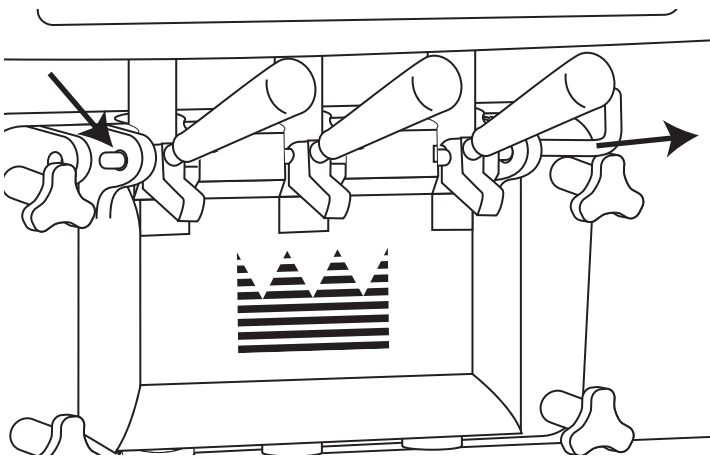
# Flavor Burst™

## ADPT 700CTTE Crown 700 Twin Twist Kit with Switch Assembly and Installation

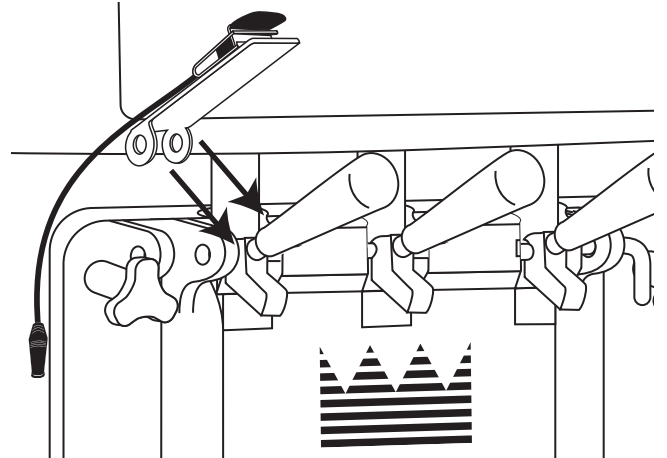
The ADPT 700CTTE is designed for use with Taylor® Twin Twist Crown series freezers to secure the Flavor Burst Injector System to the door spout. The ELE 700C Crown Draw Handle Switch Assembly is designed for use with these Crown series freezers in place of the standard internal switch (located beneath the cantilever on the left-hand side of the freezer door) to provide operators with an option to better manage flavor carryover.



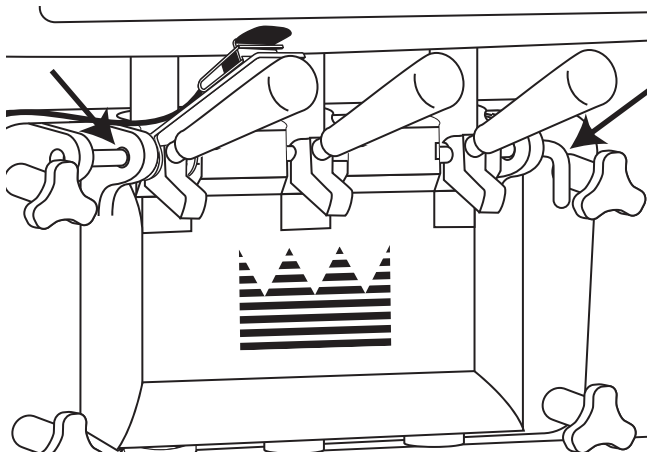
**1** Remove the pivot pin from the draw handle.



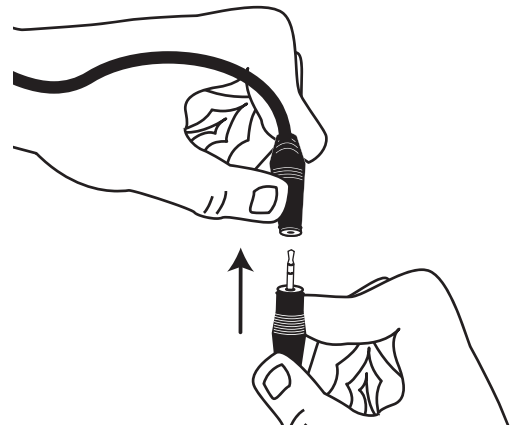
**2** Mount the Draw Handle Switch assembly over the draw handle so that the bracket holes line up with the pivot pin holes.



**3** Replace the pivot pin to secure the assembly.

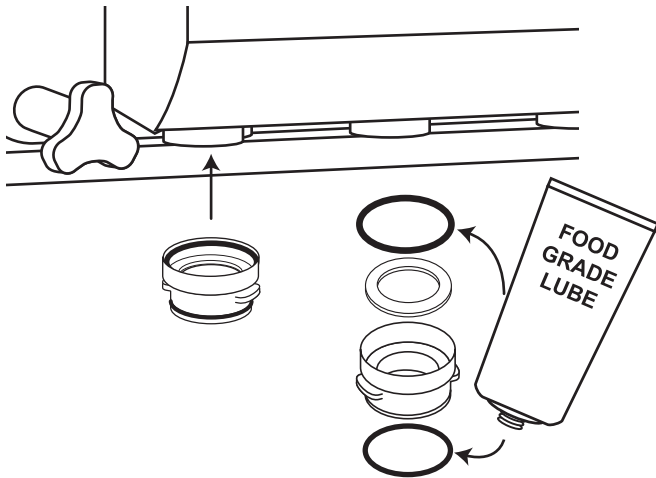


**4** Connect the Switch to the keypad. Be sure to fully engage the jacks.

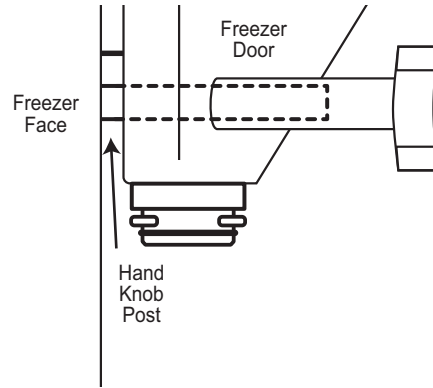


**NOTE:** DO NOT NEGLECT TO CHECK THIS CONNECTION DURING DAILY STARTUP.

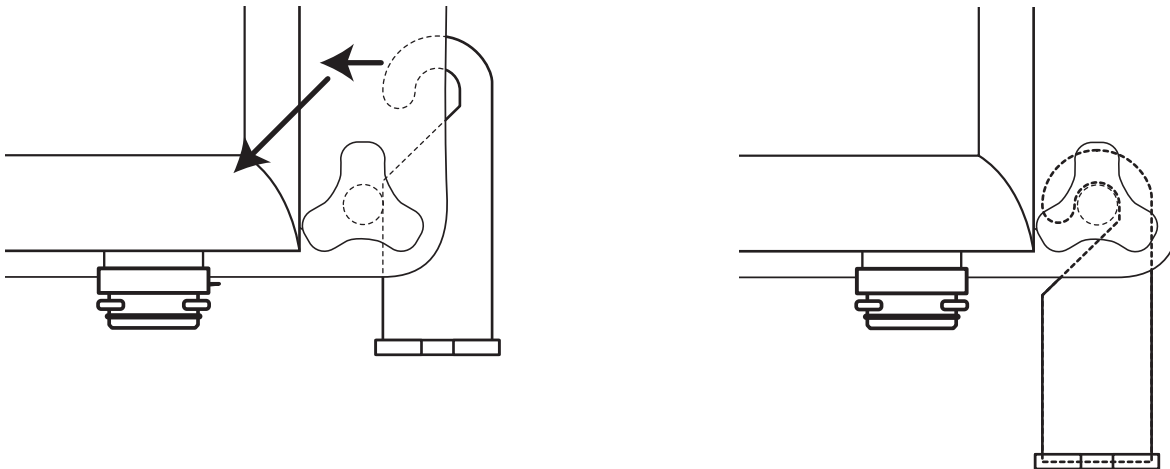
- 5** Lubricate the entire surface of each black o-ring, assemble the ADPT 101A Injector Adapter as shown, and then place the Adapter onto the freezer door spout.



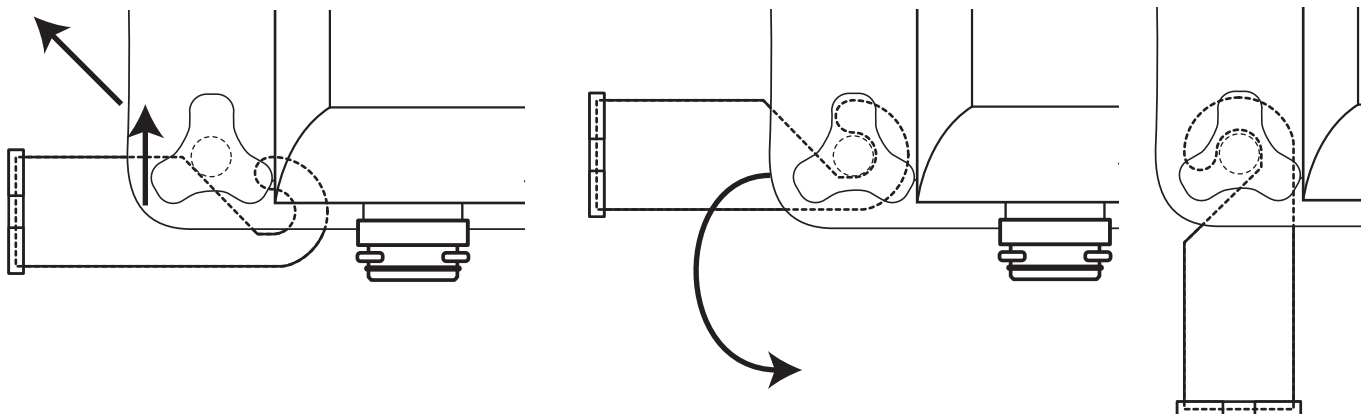
- 6** Determine which side of the freezer is the most convex the Mounting Bracket on the corresponding hand knob post in the gap between the freezer door and the freezer face. Follow either Step 3A or 3B according to the side you wish to mount it on.



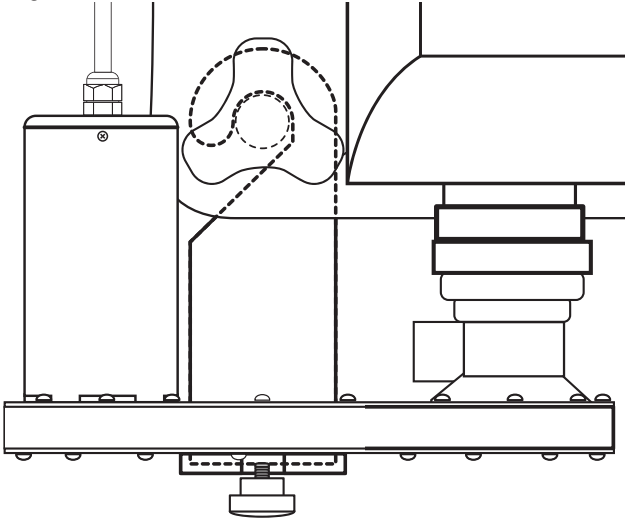
- 7A Right-Side Installation:** Slide the Mounting Bracket through the gap until it touches the post, then slide the Mounting Bracket down and toward the freezer door spout until the hook rests on the post.



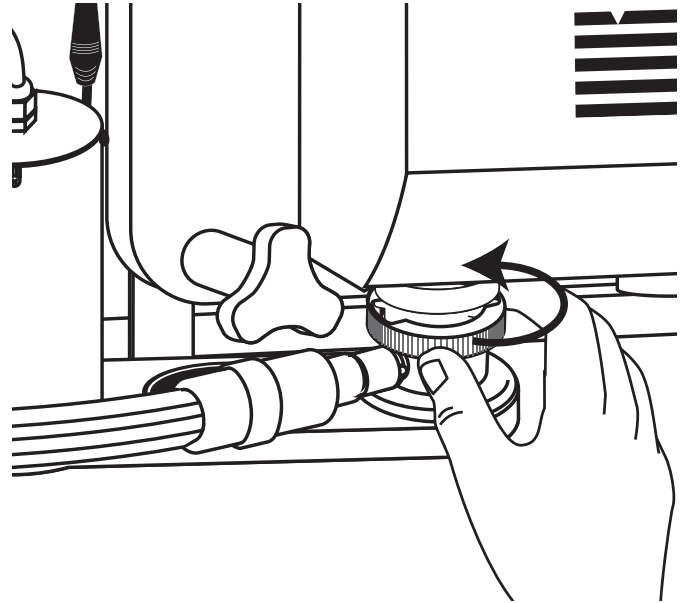
- 7B Left-Side Installation:** Rotate the Mounting Bracket on its side as shown and slide the hooked end through the gap until it touches the post. Slide the Mounting Bracket up and away from the freezer door spout until the hooked end catches the post, and then allow the Bracket to rotate down to its normal hanging position.



- 8** Attach the Injector Assembly to the Injector Adapter, slide the Injector Assembly onto the Mounting Bracket, and tighten the hand knob to secure.



- 9** Rotate the locking collar off-center to secure the Injector Assembly to the Injector Adapter.



- 10** Attach the 9-Tube Assembly to the Injector Head. Rotate the 9-Tube Assembly off-center to lock and complete the installation.

