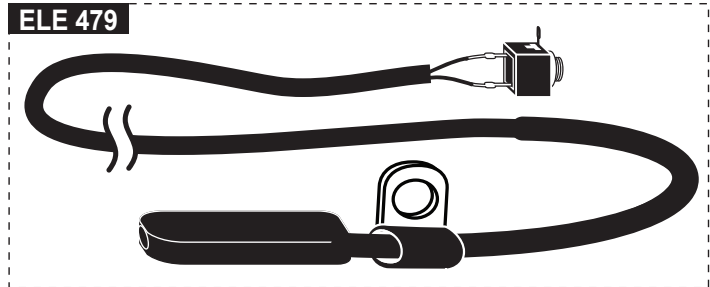
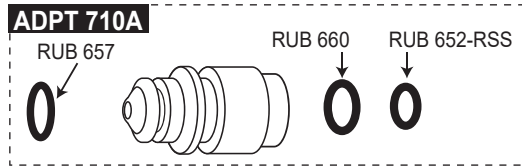


# Flavor Burst<sup>®</sup>

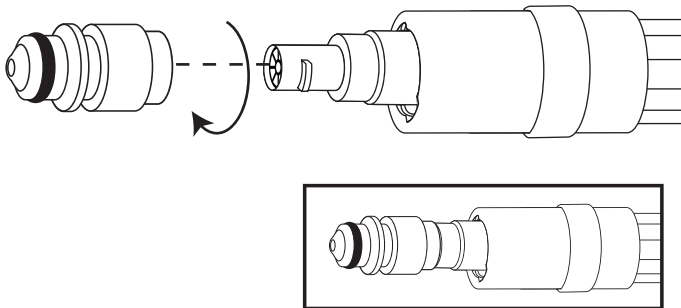
## ADPT TY80S-SP2

### Frozen Beverage Adapter Kit for Taylor C602 / C606 Freezers

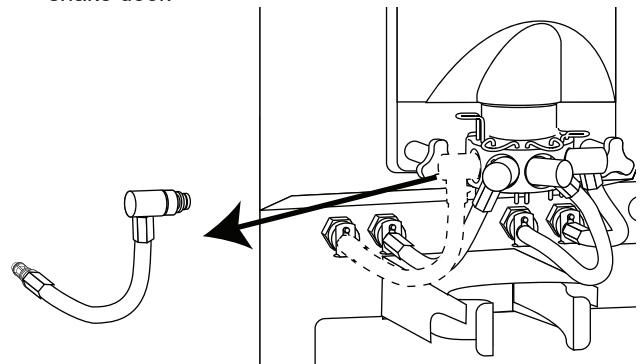
This adapter kit is designed for use with Taylor<sup>®</sup> freezer models C602 and C606 with with syrup ports. It includes an adapter for the 9-Tube Assembly that allows for direct injection into the shake freezer door. The magnetic reed switch is installed behind the control panel. The switch assembly must be installed by an authorized technician. For more information, please contact your local Flavor Burst<sup>®</sup> distributor.



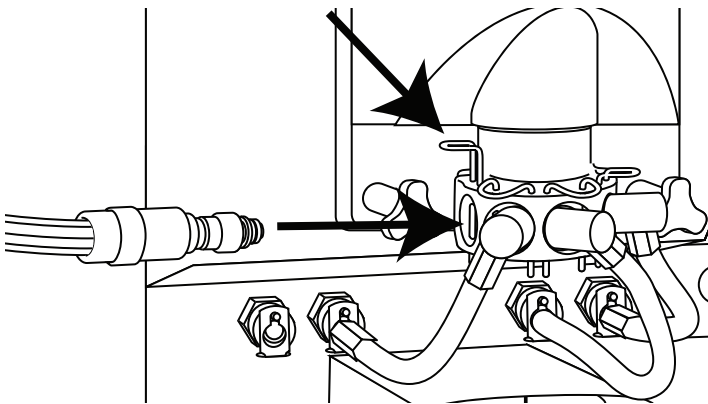
- 1 Insert the end of the syrup line manifold into the port adapter. Push and twist so that the pieces are locked into place by the manifold's tabs.



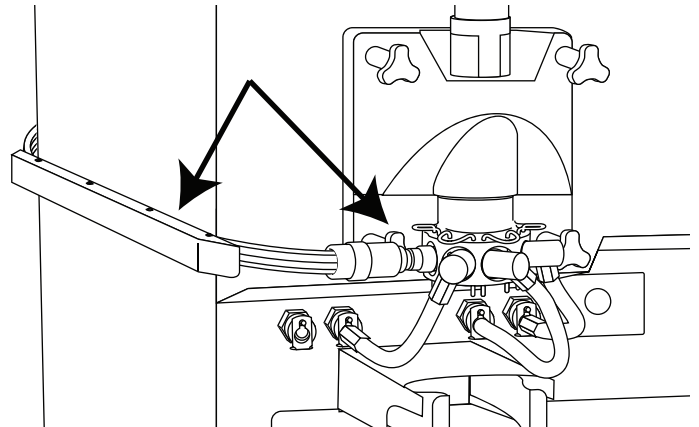
- 2 Remove the syrup tube assembly on the far left side of the shake door.



- 3 Insert the Flavor Burst tube assembly into that open port and lock it into place with the pin.

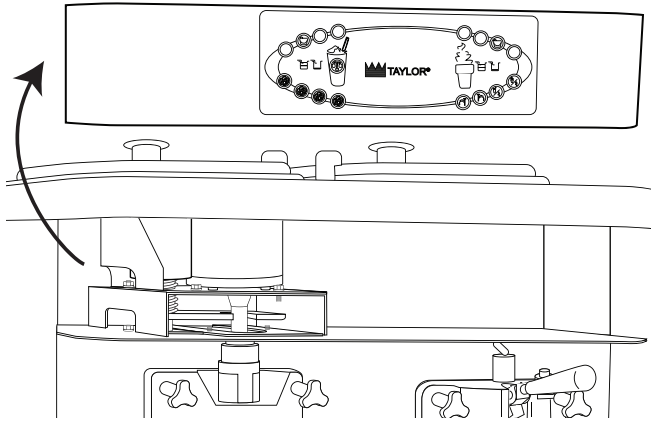


- 4 Install the Cable Casing in line with the tube assembly connection.

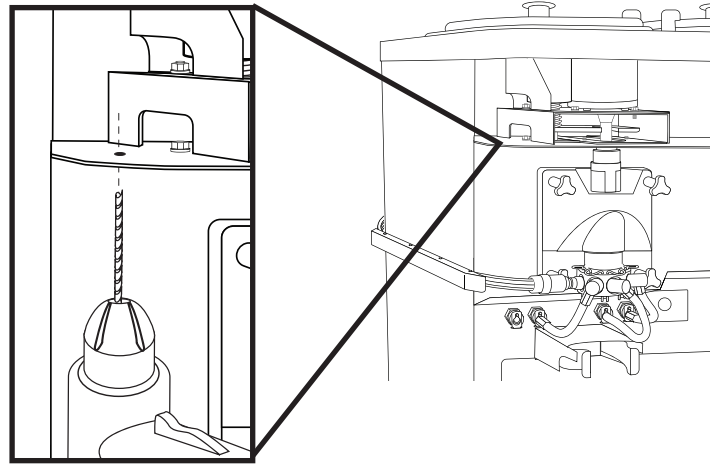


**NOTE: THE MAGNETIC REED SWITCH MUST BE INSTALLED BY AN AUTHORIZED TECHNICIAN.**

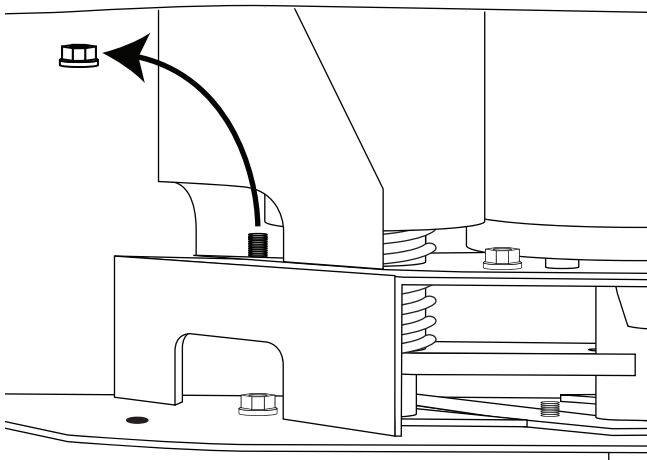
- 5** Turn off and unplug the freezer. Then, remove the five screws from under the front display panel. Carefully remove the panel and set it on top of the freezer to access the electronics behind it.



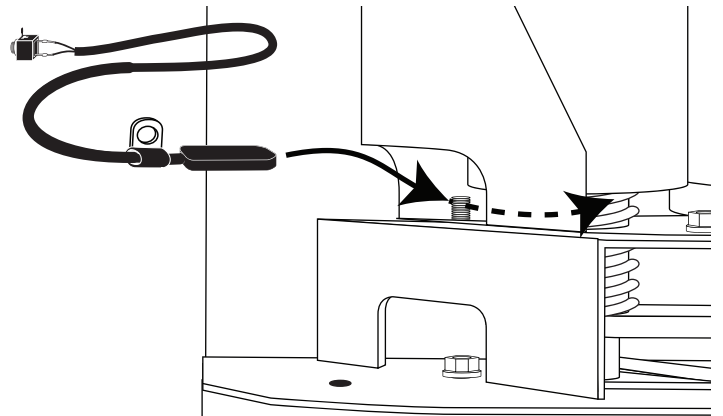
- 6** Drill a 1/4" hole through the base panel between the shake side draw solenoid and the edge. Clean the area of any metal shavings.



- 7** Remove the nut from the screw located on top of the support plate and behind the solenoid.

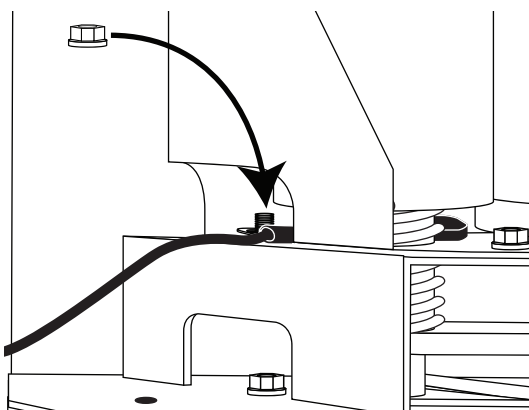


- 8** Slide the magnetic switch through the support opening and position it behind and against the solenoid.

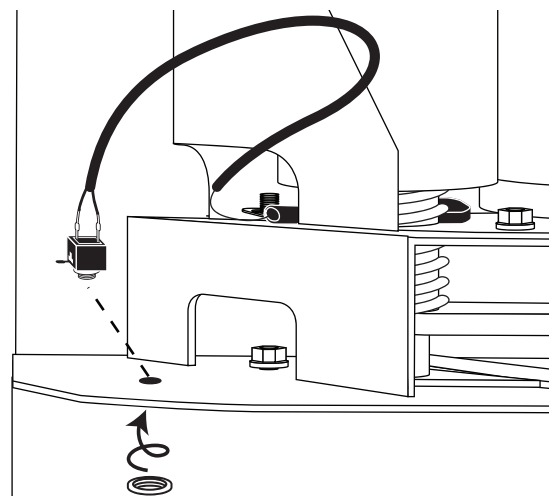


**NOTE: PLACE THE MAGNETIC SWITCH UP AGAINST OR SLIGHTLY UNDER THE SOLENOID. IT MUST BE IN CLOSE PROXIMITY TO ACTIVATE WHEN THE SOLENOID ACTIVATES.**

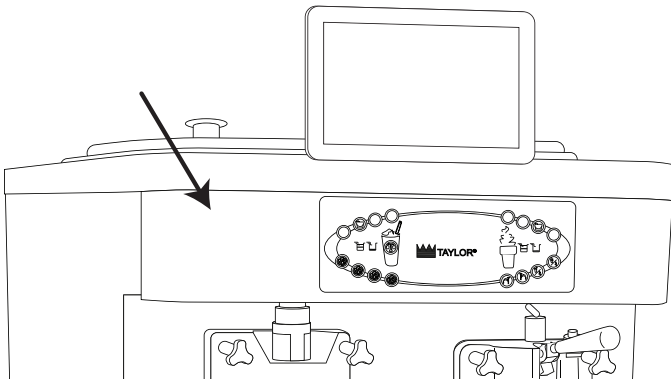
- 9** Loop the cable restraint over the screw post. Secure the restraint with the nut.



- 10** Remove the small ring from the switch port at the other end of the switch. Install the switch port through the drilled hole in the base. Secure the switch port from the underside of the base using the small ring.



**11** Return the display panel to the freezer.



**12** Connect the switch extension cable from your Flavor Burst system to the new magnetic switch port. Connect the other end of the extension to the switch port on the underside of the Flavor Burst Color Touch Panel.

