

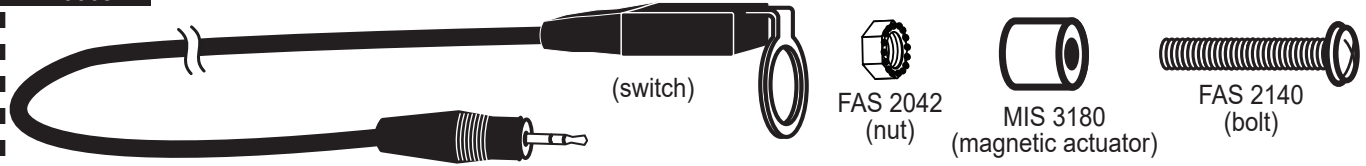
# Flavor Burst™

## ELE 530JBT Switch Kit for FCB Freezer Models

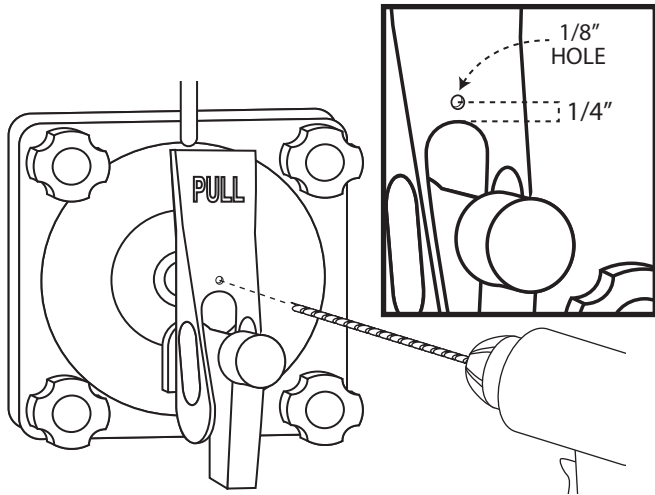
### Installation

This switch is designed for use with the Flavor Burst® JBT Jumbo Touch Panel models and Taylor® FCB freezer models C300, C303, C302, and C314. Used in conjunction with the magnetic pin, it activates the Flavor Burst® system when the pull handle is in open position to draw a serving. For more information, please contact your local Flavor Burst® distributor.

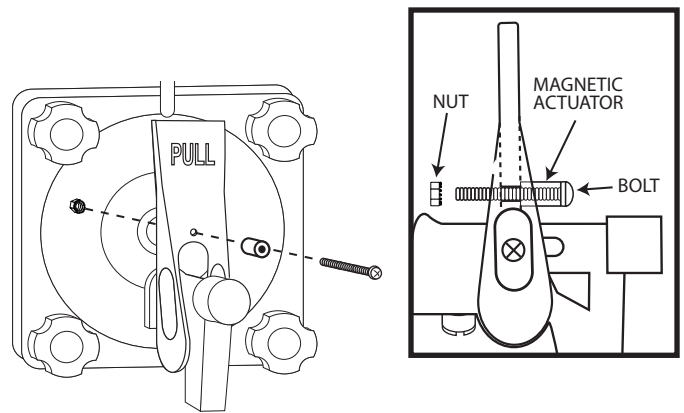
#### ELE 530JBT



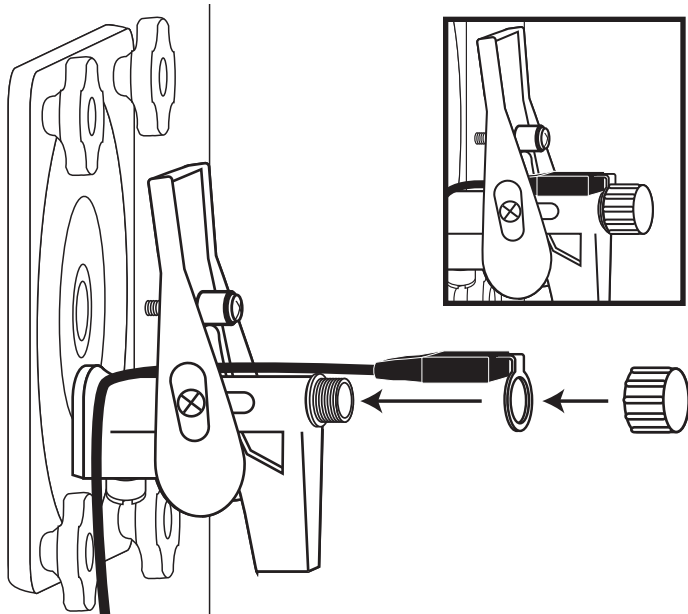
- 1 Drill a 1/8" hole through the pull handle. The center of the hole should be 1/4" above the handle arch and centered.



- 2 Attach the magnetic actuator to the front of hole using the bolt provided. Secure the assembly at the back with the nut as shown.



- 3 Remove the spout cap and install the switch over the threads. Replace the cap and tighten to secure.



- 4 Connect the switch to one of the center ports on the back of the Jumbotron. The magnetic pin activates the switch when the handle is pulled forward and the pin is brought close to the switch.

