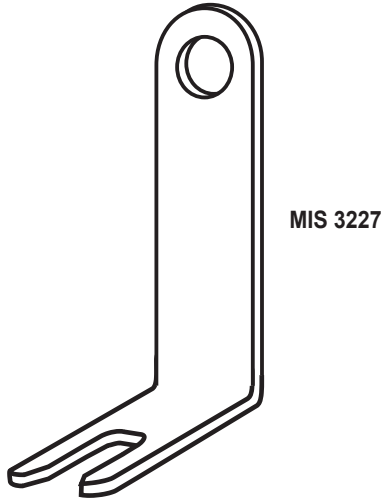


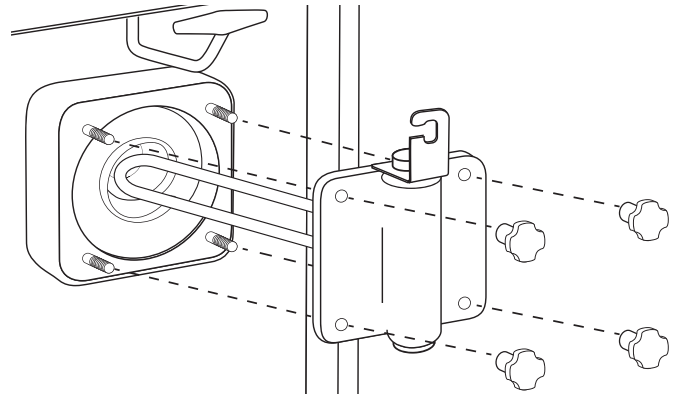
Flavor Burst®

MIS 3227 Frozen Beverage Freezer Mounting Bracket Assembly and Installation

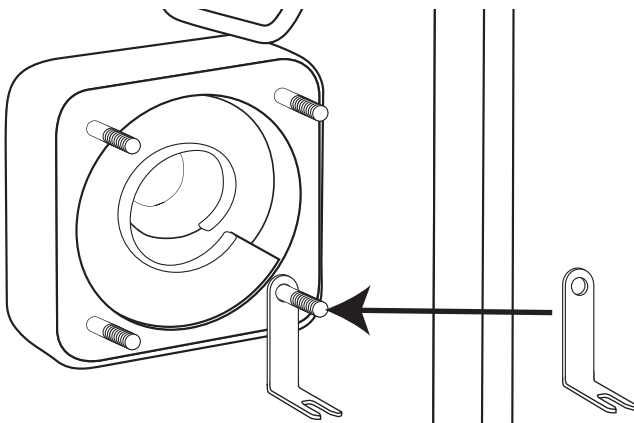
The MIS 3227 mounting bracket supports the Flavor Burst Blending Assembly from the freezer door post. It is designed for use with Taylor® frozen beverage freezer models 441, 444, 741, 772, 490 and 632 (shake side). If you have any questions, please contact your local Flavor Burst™ distributor for additional information.



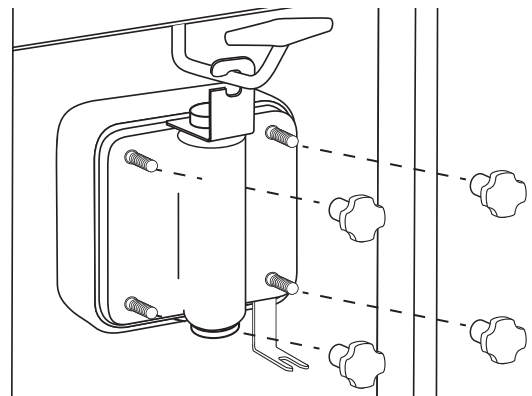
- 1 Empty and clean the freezer before installing the bracket. Remove the door from the freezer. Clean and sanitize the Spout Adapter, o-rings and all Blending Assembly parts.



- 2 Slide the MIS 3227 Mounting Bracket onto the post closest to where the Blending Motor will be.



- 3 Return the freezer door to the freezer and secure tightly with the door knobs. Ensure the Spout Adapter is installed on the freezer spout with its o-rings.



- 4 Install the clean Spout Adapter and Blending Assembly onto the freezer spout. Position the Gear Box Assembly onto the mounting bracket so that the screw post slides into the bracket slot. Ensure the assembly is level. Secure with the Gear Box to the Mounting Bracket with the Gear Box thumb knob. Connect the motor cable and syrup tubes to the Blending Assembly to complete the installation.

