

# Flavor Burst<sup>®</sup>

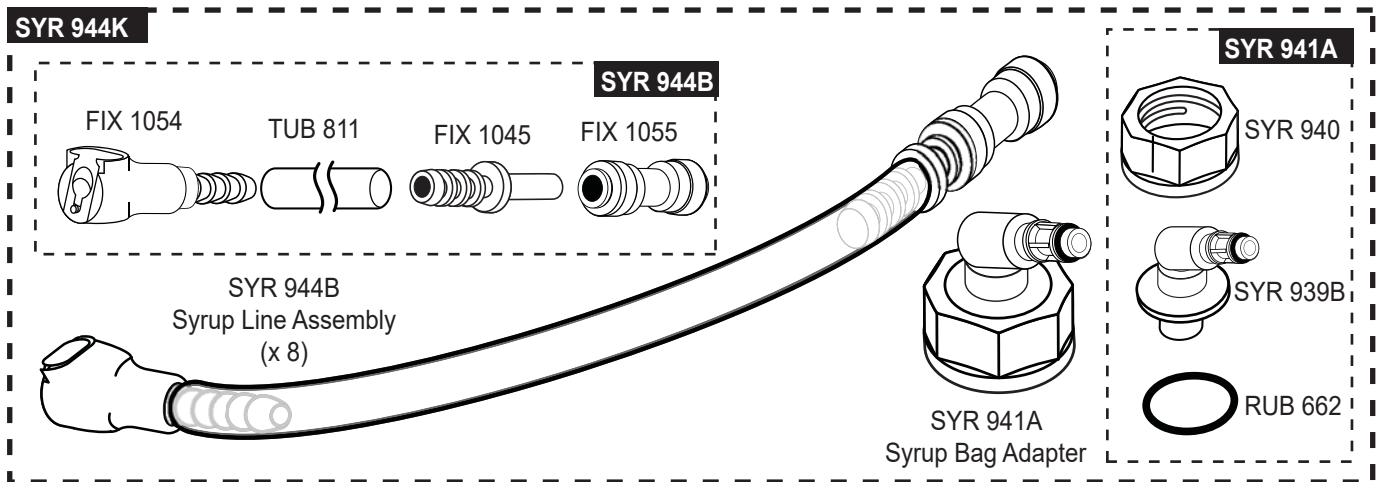
## SYR 944K Syrup Line Assembly Upgrade Kit

### Installation

In 2016, the fitment for Flavor Burst soft serve syrup bags was discontinued by the manufacturer. Flavor Burst soft-serve and Flavor Blend syrups are currently being produced with a new syrup bag fitment compatible with the current style of syrup tube assemblies. Older Flavor Burst models with the old tube assemblies will need to be updated using the SYR 944K kit. Change out each syrup line only when needed, as the new syrup bags come in.

The new style bag fitment will no longer require a syrup bag adapter, and the syrup line assembly will connect directly, quickly, and more easily to these new bags.

**NOTE:** The new syrup bag fitment extends out further than the old one, and can interfere with the cabinet door when the syrup lines are connected. To avoid breaking the fitment nozzles, the syrup bag fitments must sit *behind* the tray opening, instead of in front of it. Syrup bags with the old style fitment (short and wide) that require a syrup bag adapter can be installed through the tray opening or behind it.



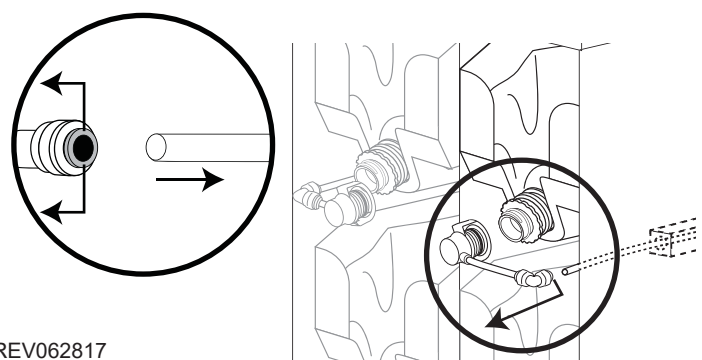
**1** Identify the syrup line that needs to be replaced. **Only replace the syrup line if the syrup bag has the new fitment.**

**NOTE:** REPLACE ALL THE LINES **ONLY** IF YOU HAVE NO MORE SYRUP BAGS IN STOCK WITH THE OLDER FITMENT.

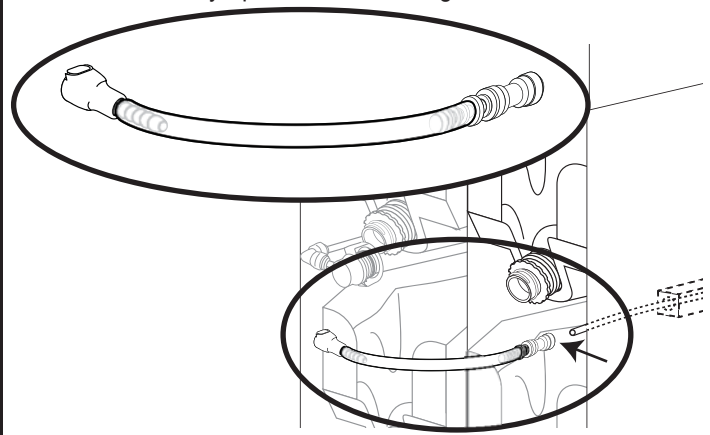
**2** Perform Phase 2: Syrup System Cleaning of the CLEAN-IN-PLACE (CIP) PROCEDURE for the syrup tube that is being replaced. Refer to the Flavor Burst<sup>®</sup> Operations Manual for instructions.

**NOTE:** DO NOT RECONNECT THE SYRUP BAG CONNECTORS TO THE BAG FITMENTS.

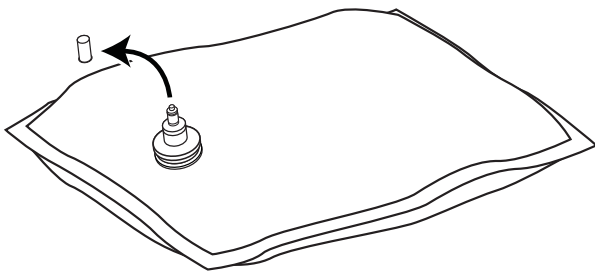
**3** Disconnect the syrup connector assembly from the syrup line. Push the grey collar into the fitment while pulling out the syrup line. Keep the cleaned syrup connector assembly stored in a safe and clean place in case you need to use a syrup bag with an older style fitment.



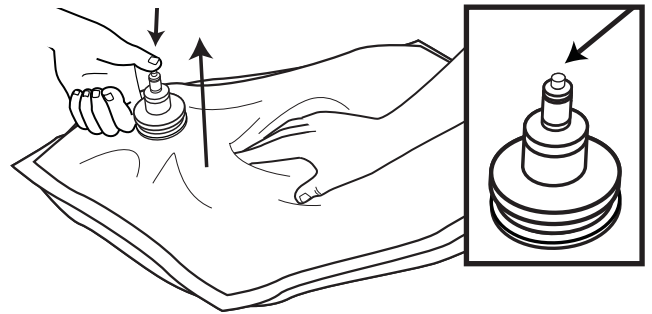
**4** Attach the new SYR 944B assembly to the syrup line. Push the syrup line as far as it'll go into the fitment.



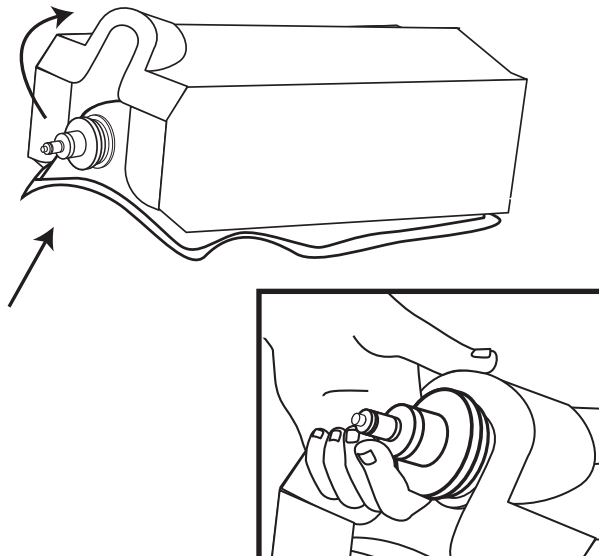
**5** Remove the cap from the bag fitment.



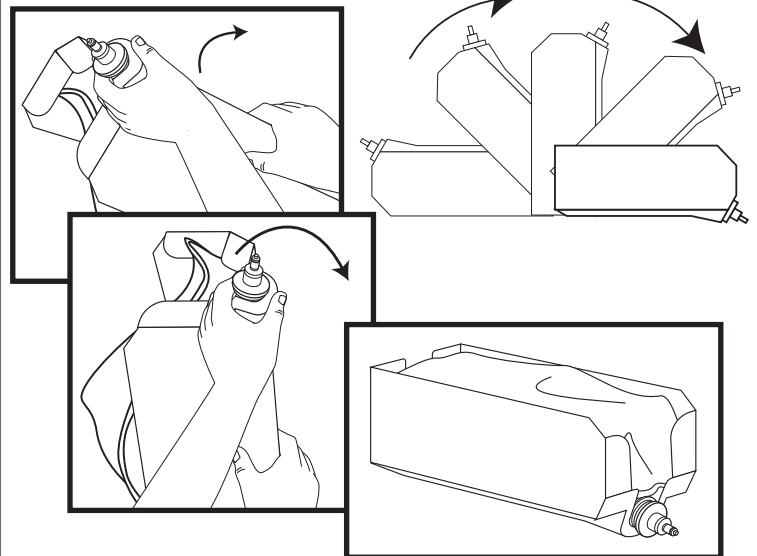
**6** Lifting up the bag fitment, press the center pin of the fitment valve and gently press on the bag to release any excess air.



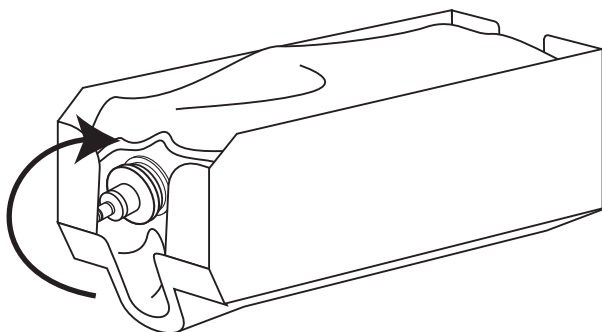
**7** Place the tray up-side-down over the bag and pull the fitment into the tray opening as shown. The grooves of the bag fitment should slide into the tray opening.



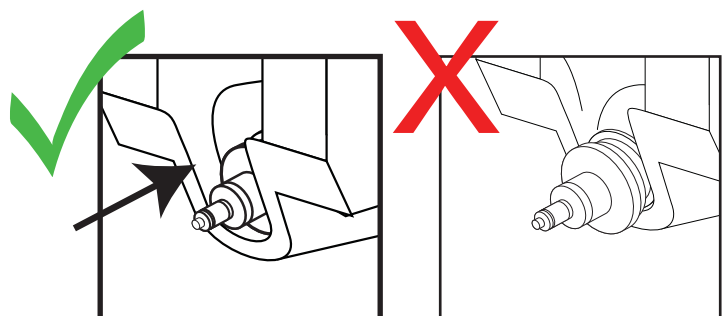
**8** Holding the fitment in place, raise the open end of the tray and flip the tray right side up. As the tray is set back down, allow the bag to settle in the tray with the label showing on top of the bag.



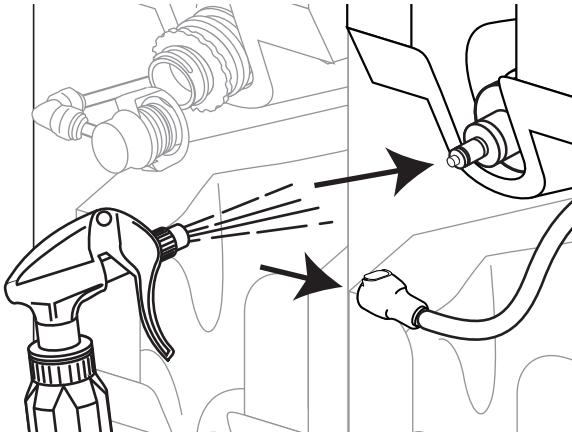
**9** Lift the bag fitment out of the tray opening and set the fitment inside the tray cavity, behind the slot.



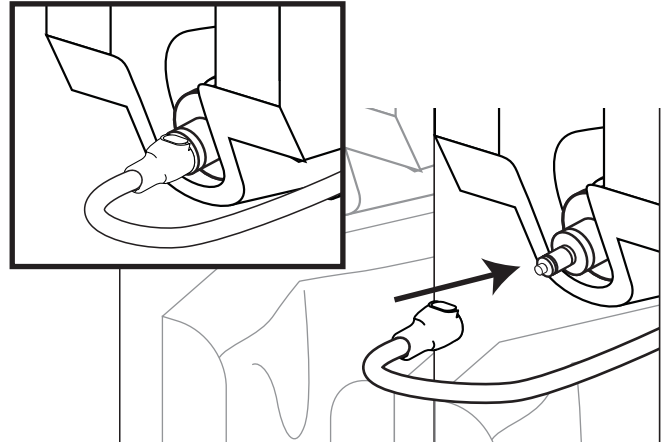
**!** **NOTE:** DO NOT INSTALL THE SYRUP BAG FITMENT OVER THE TRAY SLOT. THIS CAN RESULT IN BREAKAGE OF THE FITMENT NOZZLE WHEN THE CABINET DOOR IS INSTALLED.



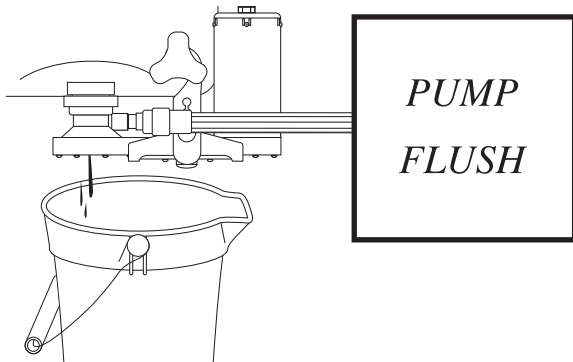
- 10** Install the syrup bag into a cabinet tray. Clean and sanitize the bag fitment and syrup bag connector with approved sanitizer solution.



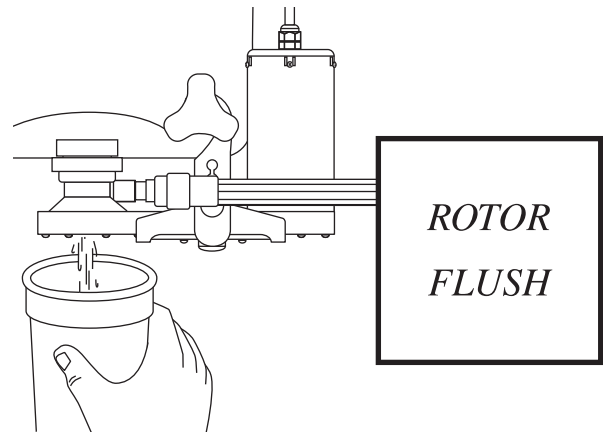
- 11** Connect the syrup bag connector to the bag fitment. Ensure the connector snaps and locks onto the fitment.



- 12** With a container under the Injector Head, press the numbered key corresponding to the syrup line (1-8) and then press the PUMP FLUSH key.

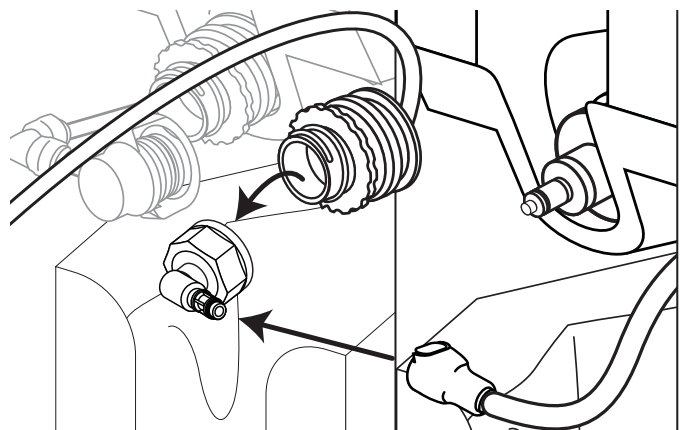
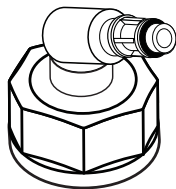


- 13** Press the FLUSH key to clean the Injector Head.



**!** **NOTE:** FOR NEWER SYSTEMS, PRESS THE NUMBERED KEY CORRESPONDING TO THE SYRUP LINE AND THEN PRESS THE FLUSH KEY.

- 14** When cleaning the syrup line, install the Syrup Bag Adapter on the Pump Flush Adapter. Then connect it to the Syrup Bag Connector and perform the Pump Flush procedure.



\*For additional information refer to the current Operations Manual or contact your local Flavor Burst® distributor.