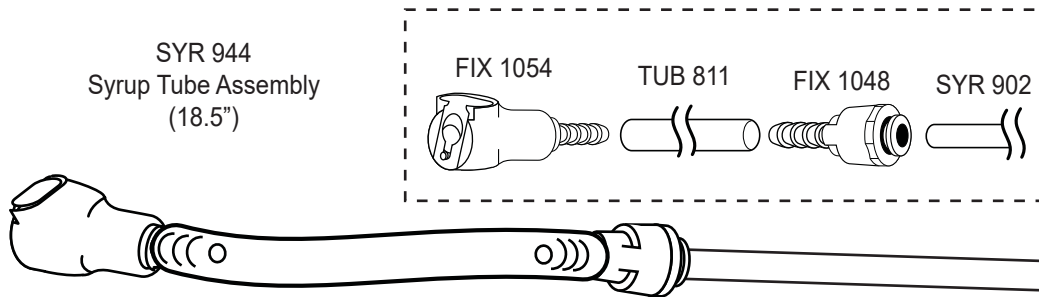


# Flavor Burst®

## SYR 944 Soft Serve Syrup Tube Assembly (18.5")

### Installation

The Syrup Tube & Bag Connector Assembly is for use with the Flavor Burst® soft serve systems. The newly designed Syrup Tube Assembly replaces the existing tube assembly to allow a simpler, cleaner, and more secure connection to the syrup bag. It will also make your Flavor Burst system compatible with the new style syrup bags, which are replacing the old style syrup bags. Refer to your Operations Manual for instructions on performing the Clean-In-Place, Pump Flush and priming procedures. Contact your local distributor for more information.

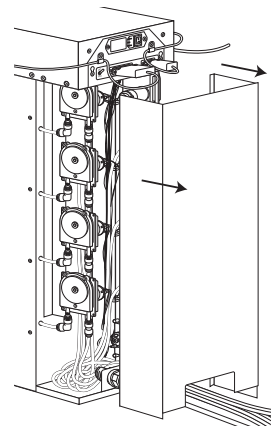
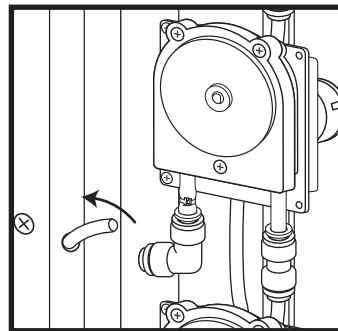


- 1 Perform Phase 2: Syrup System Cleaning of the CLEAN-IN-PLACE (CIP) PROCEDURE for the syrup tube that is being replaced. Refer to the Flavor Burst® Operations Manual for instructions.

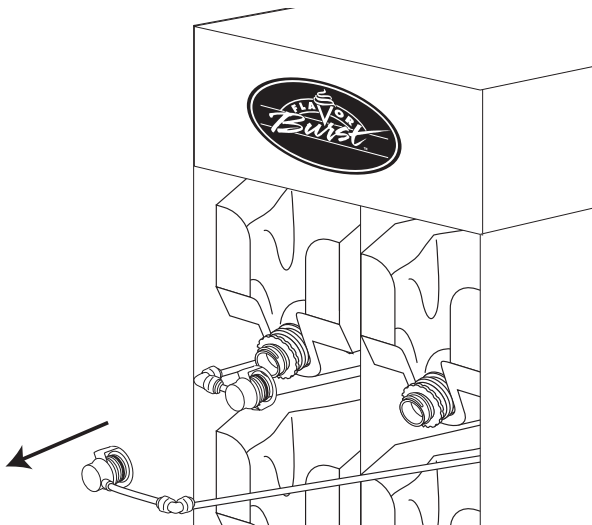


**NOTE:** DO NOT RECONNECT THE SYRUP BAG CONNECTORS TO THE BAG FITMENTS.

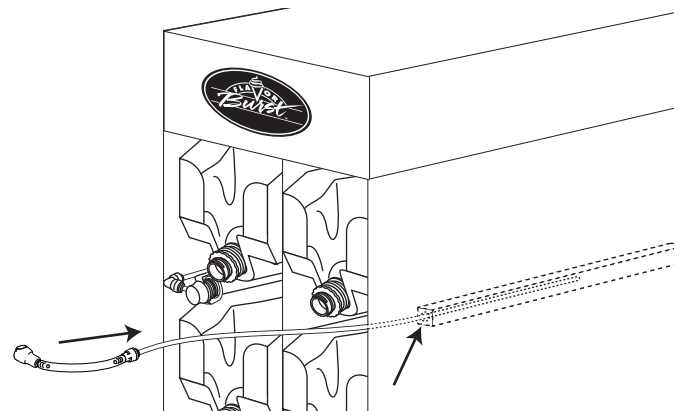
- 2 Remove the back panel of the cabinet. Disconnect the syrup tube from the elbow fitting of the syrup pump.



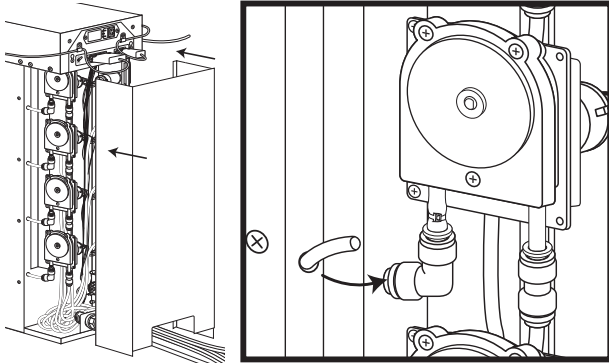
- 3 Remove the Syrup Tube Assembly from the cabinet.



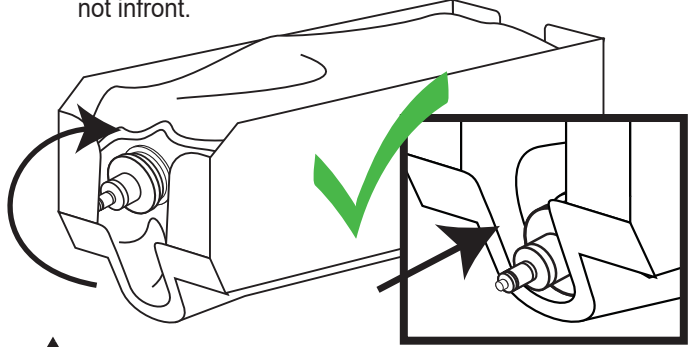
- 4 Slide the new SYR 944 Syrup Tube Assembly through the support railing to the back of the cabinet.



- 5** Insert the syrup tube fully into the elbow fitment of the syrup pump. Reinstall the back panel and the screw.

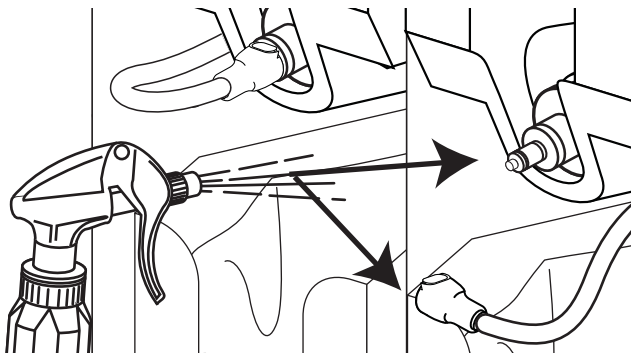


- 6** Install the new syrup bag with the direct-connect fitment into the tray. Ensure the bag fitment is BEHIND the slot, not in front.

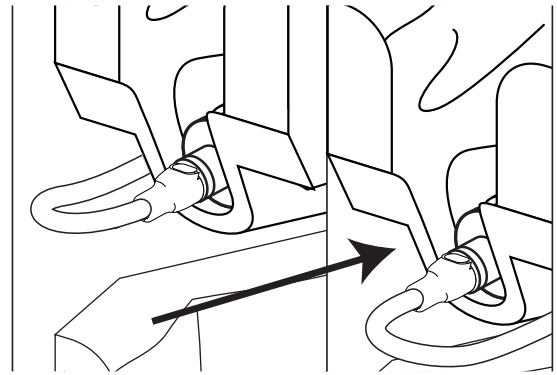


**!** **NOTE:** DO NOT INSTALL THE SYRUP BAG FITMENT OVER THE TRAY SLOT. THIS CAN RESULT IN BREAKAGE OF THE FITMENT NOZZLE WHEN THE CABINET DOOR IS INSTALLED.

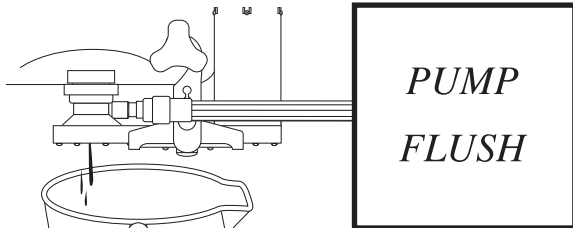
- 7** Install the syrup bag into a cabinet tray. Clean and sanitize the bag fitment and syrup bag connector with approved sanitizer solution.



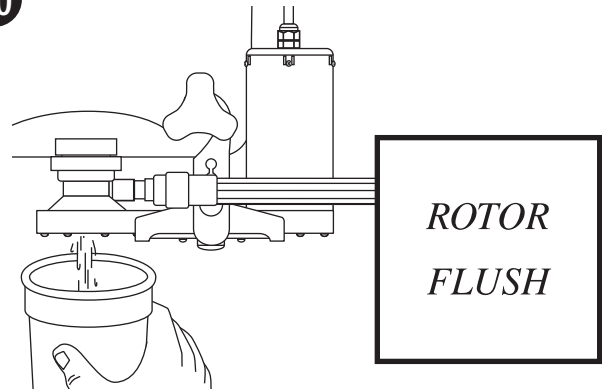
- 8** Connect the syrup line directly to the new syrup bag.



- 9** With a container under the Injector Head, press the numbered key corresponding to the syrup line (1-8) and then press the PUMP FLUSH key.

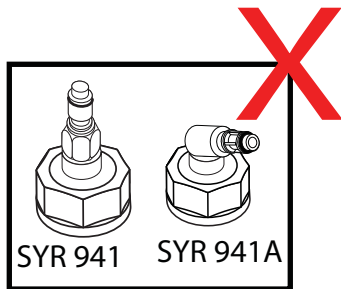


- 10** Press the FLUSH key to clean the Injector Head.



**!** **NOTE:** FOR NEWER SYSTEMS, PRESS THE NUMBERED KEY CORRESPONDING TO THE SYRUP LINE AND THEN PRESS THE FLUSH KEY.

**!** **NOTE:** The new bag fitment style does not use the SYR 941 or SYR 941A syrup bag adapter. But clean and store these adapters if you need them for the flushing process or a syrup bag with an old style fitment.



**!** **NOTE:** If you have a pump flush adapter with the old style fitment, use a syrup bag adapter to connect it to the syrup line when flushing the lines.

