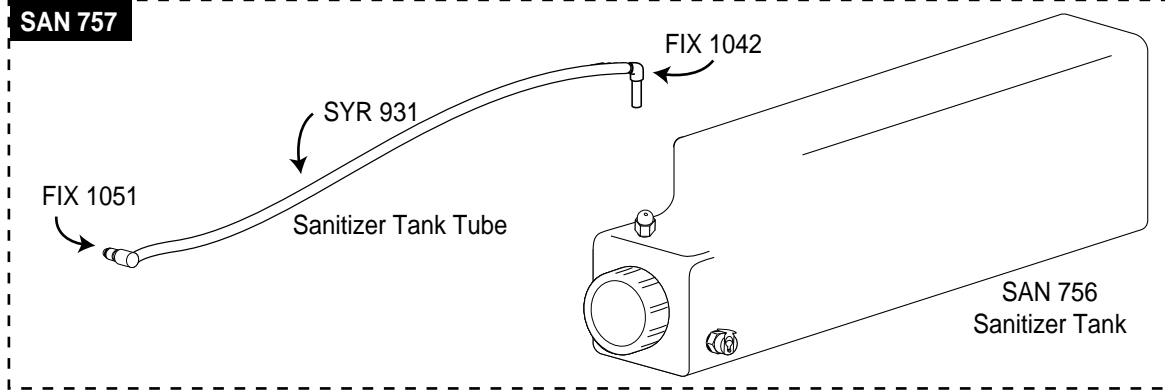


Flavor Burst[®]

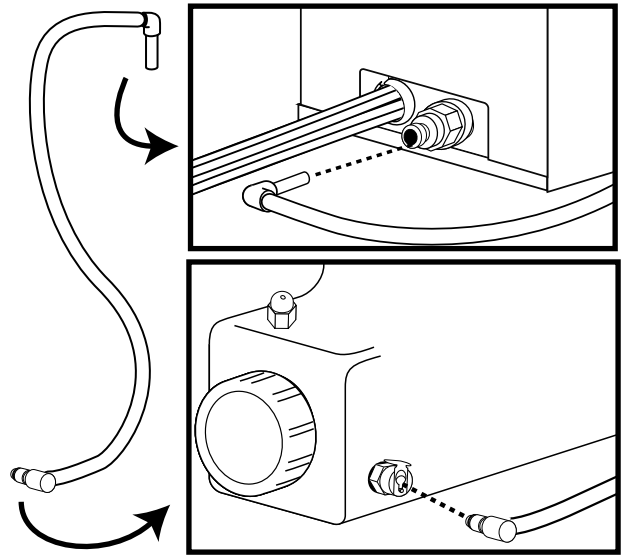
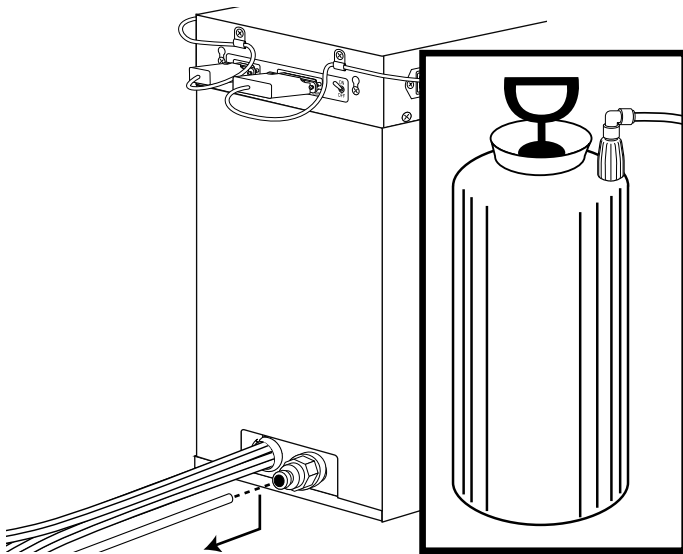
SAN 757 Sanitizer Tank

Installation

The SAN 757 sanitizer tank assembly connects to the sanitizer pump line of the FB 80LPA low-profile model at the back of the cabinet. The slim design allows for easier and more convenient storage of the sanitizer tank. Follow these instructions to install the new SAN 757 tank assembly. For more information, contact your local distributor.



- 1 If the cabinet is connected to the older style sanitizer tank, disconnect the tank line from the connector at the back of the cabinet and remove the tank.
- 2 Connect the elbow fitting end of the sanitizer tank tube to the sanitizer fitment at the back of the cabinet. Connect the other end to the sanitizer tank connector.



- 3 Fill the sanitizer tank with approved sanitizer solution. Install the cap and set the tank next to the cabinet.
- 4 Hold a cup under the Injector Assembly and press the WATER / SYRUP FLUSH key on the keypad till sanitizer solution flows from the Injector Assembly.

