

# Flavor Burst<sup>®</sup>

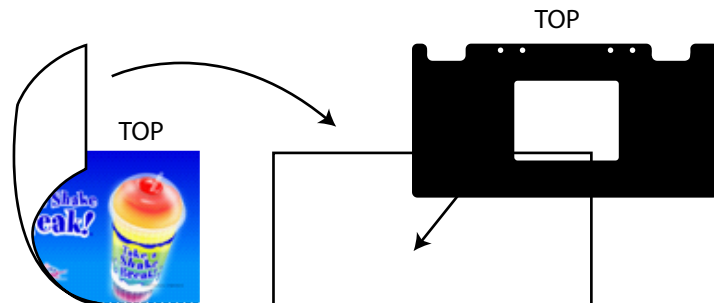
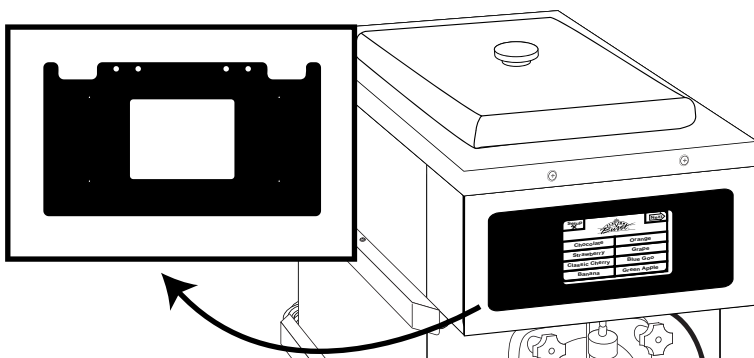
## POP Display Wraps for 428 & 432 Freezers

These colorful wraps are designed for the POP 428KTS and POP 432KTS touchscreen display kits. The wraps can be applied directly to the touchscreen plate. The wrap can also be used like an easily removable card by leaving the adhesive protective paper the wrap. The wraps for the 432 freezer include extra length to either side of the wrap. This is so that you can cut the wrap in half, and use a half from two different wraps to display 2 different products on your freezer. The instructions are the same for both the 428 and 432 display wraps unless noted. For more information, please contact your distributor.



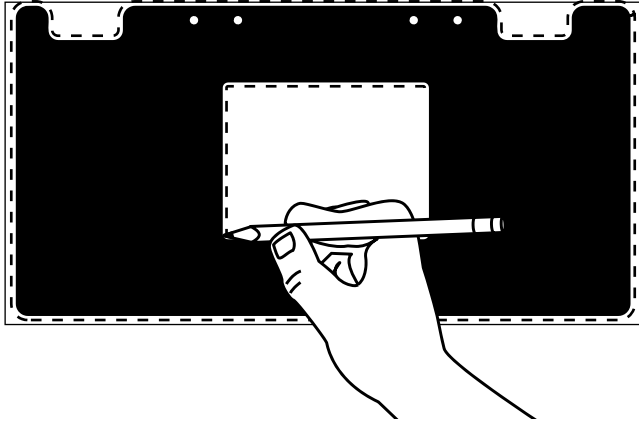
**1** Remove the touchscreen plate from the freezer display box. If the touchscreen is already installed onto the plate, remove the touchscreen. If you wish to install two half-wraps to a 432 plate, skip to Step 9.

**2** Center the plate with the back side of the wrap. Ensure the top of the plate correlates with the top of the wrap.

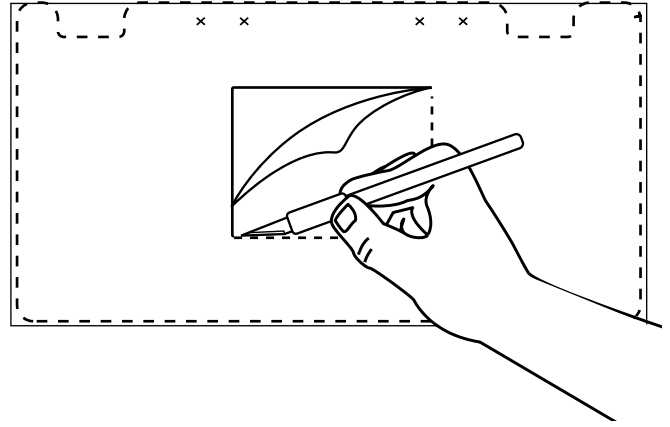


**!** **NOTE:** NEVER APPLY THE WRAP TO THE TOUCHSCREEN PLATE OR USE A BLADE TO CUT THE WRAP WITH THE TOUCHSCREEN INSTALLED ON THE PLATE. THE ADHESIVE OF THE WRAP OR THE BLADE CAN DAMAGE THE SURFACE OF THE TOUCHSCREEN.

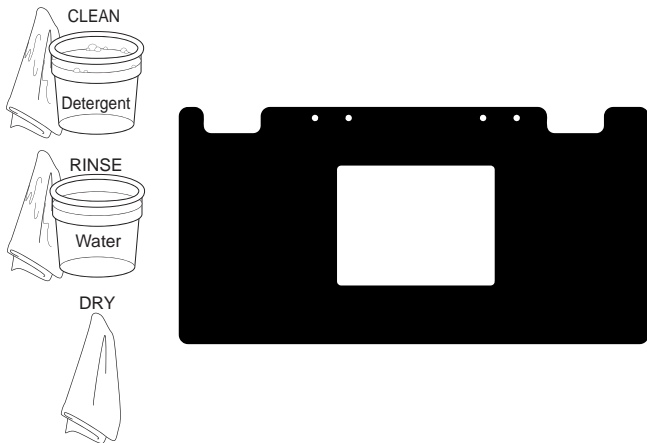
- 3** Trace the inside of the touchscreen opening and the outer edges of the plate with a pencil. Also, mark any screw holes on the wrap.



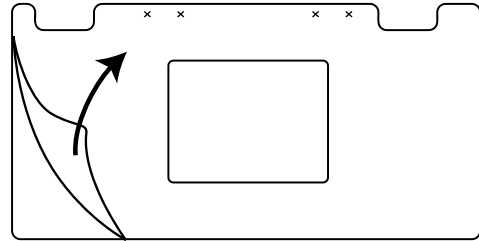
- 4** Carefully cut the wrap where marked. Score the wrap where it is marked for the screws.



- 5** Ensure the surface of the plate is clean and dry.

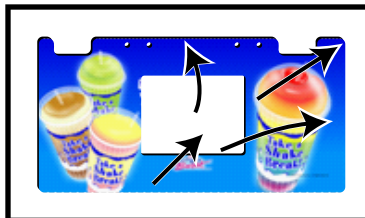
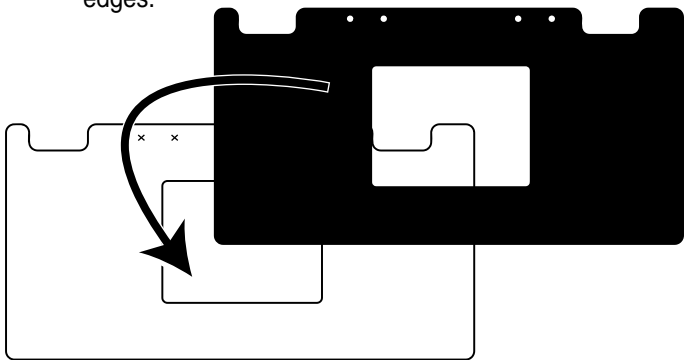


- 6** Remove the protective backing of the wrap and set the wrap sticky-side-up on a flat surface.

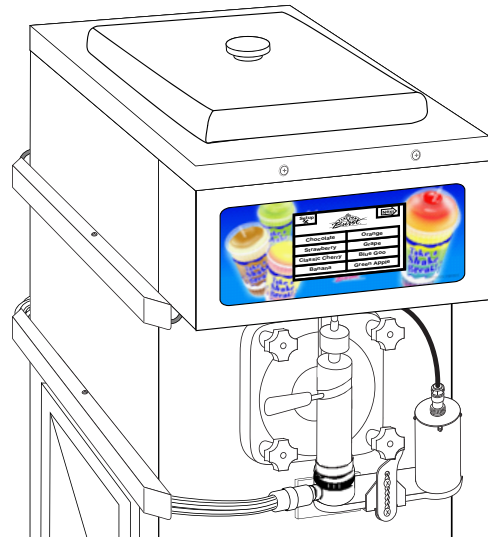


**NOTE:** YOU MAY LEAVE THE BACKING ON THE WRAP IF YOU WISH THIS PIECE TO BE EASILY REMOVABLE.

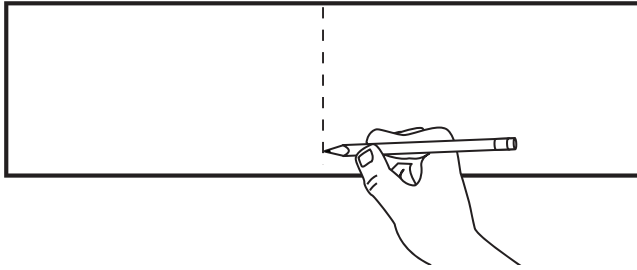
- 7** Align the plate's touchscreen opening with the wrap's central opening and apply plate to the wrap. Flip the plate and wrap over and work out any air bubbles to the edges.



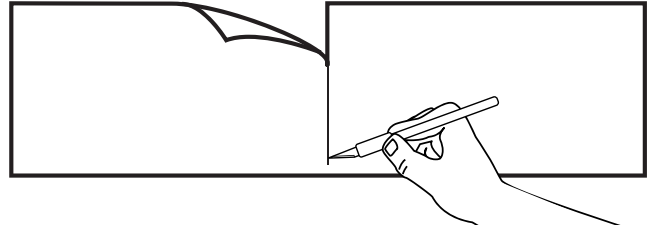
- 8** Reinstall the touchscreen to the plate, and then install the assembly to the freezer display box to complete the installation.



- 9** To apply two half wraps to a 432 touchscreen plate, measure and mark a line down the center of each wrap on the backside.



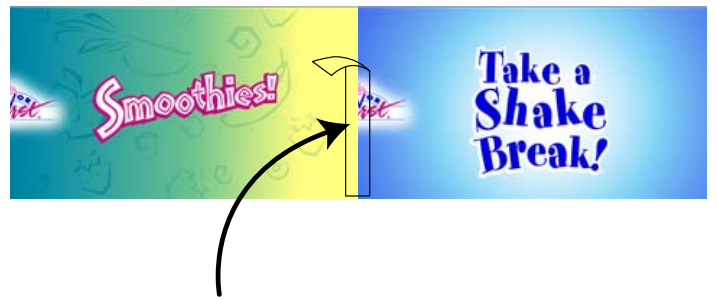
- 10** Use a straight edge and a sharp blade to cut down the central line cleanly.



- 11** Choose which wrap halves you are going to apply to the 432 touchscreen plate and which side each wrap will be applied to. These wraps include extra length so that each half can be applied to either side of the plate.



- 12** Align edges of the wrap halves where they meet in the middle. Apply a piece of tape to seam on the front side of the wrap to hold them together for the next steps.



- 13** Follow Steps 2-7. Then remove the tape holding the seam of the two wraps together.



- 14** Reinstall the touchscreen to the plate, and then install the assembly to the freezer display box to complete the installation.

