

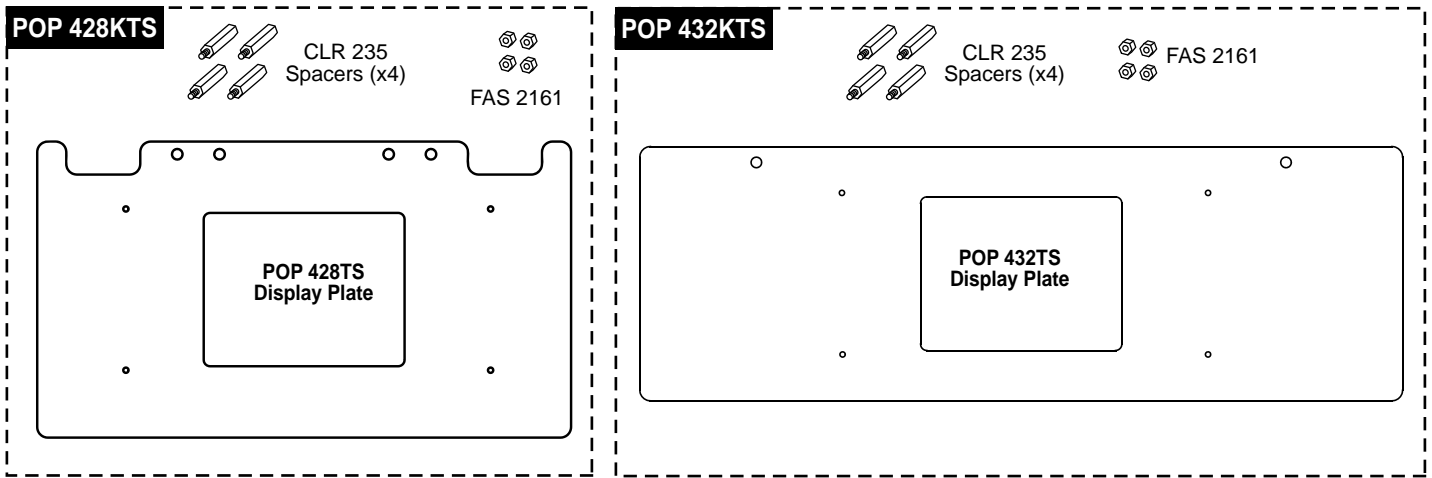
# Flavor Burst<sup>®</sup>

## POP 428KTS & POP 432KTS

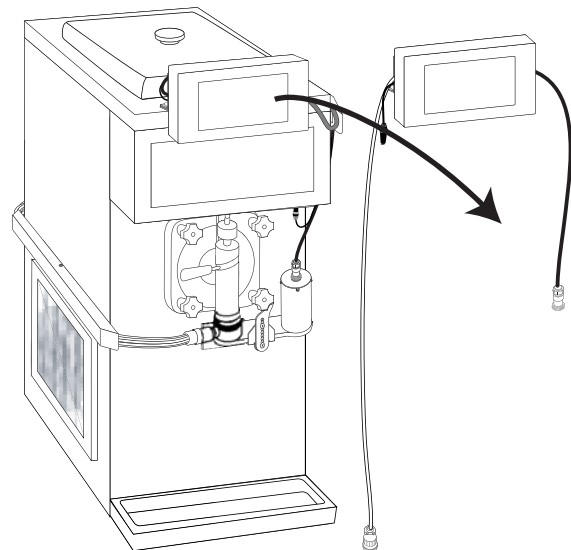
### Taylor 428 and 432 Integrated Touchscreen Kits

These kits allow the Flavor Burst Touchscreen (not included) to be mounted inside the display box of the Taylor 428 and 432 freezers. The process involves dismantling the current touchscreen and replacing the display plexi with one of these kits. The result is a cleaner, more unified look between the Taylor freezer and the Flavor Burst equipment. The display plates in these kits are metal, and therefore the light function of the light box is not used. Colorful display wraps for these plates are available from your local distributor if you wish to add some eye-appeal to the display box.

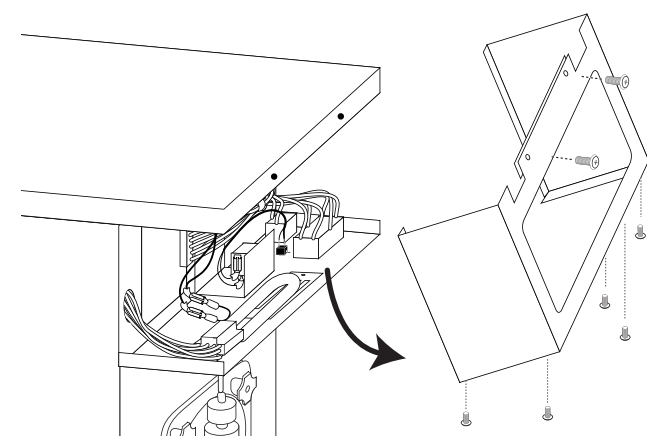
The instructions are the same for either freezer unless noted. Use the POP 428KTS kit for a Taylor 428 freezer, and the POP 432KTS kit for a Taylor 432 freezer. For more information, please contact your distributor.



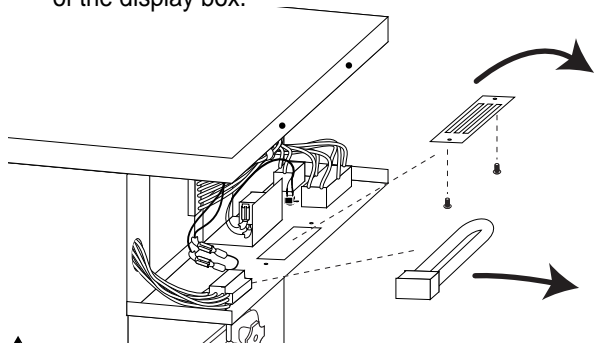
**1** Turn off the freezer and Flavor Burst equipment. Then disconnect and remove the Touchscreen, mounting bracket and all plates from the freezer.



**2** Remove the display box from the freezer.

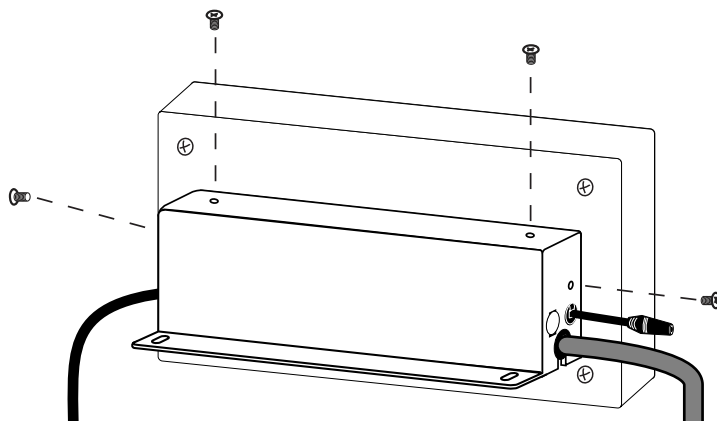


**3** Remove the light bulb and the vent plate from the floor of the display box.

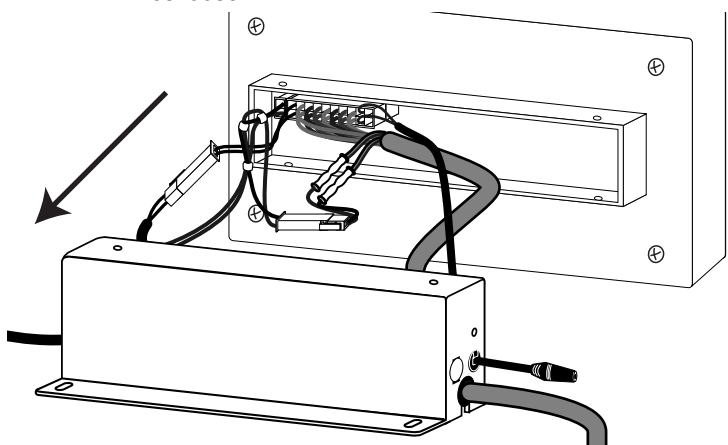


**NOTE:** WHEN INSTALLING ON A 432 FREEZER, REMOVE THE PLATE ABOVE THE SPOUT THAT HAS THE FLAVOR BURST ASSEMBLY INSTALLED. IF YOU HAVE ASSEMBLIES INSTALLED ON BOTH SPOUTS (I.E. TS 44BEV SYSTEM), REMOVE BOTH VENT PLATES.

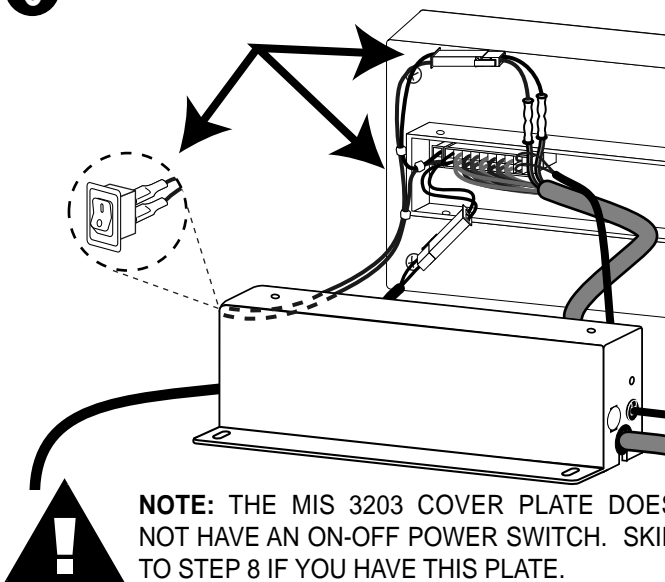
**4** Remove the four screws from the old Touchscreen housing cover. Set them aside.



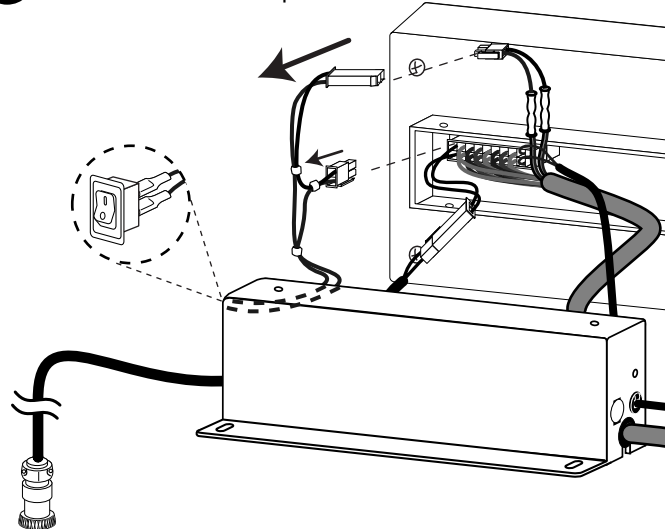
**5** Gently pull back the Touchscreen cover to access the connections inside. Be very careful not to pull any of the wires loose.



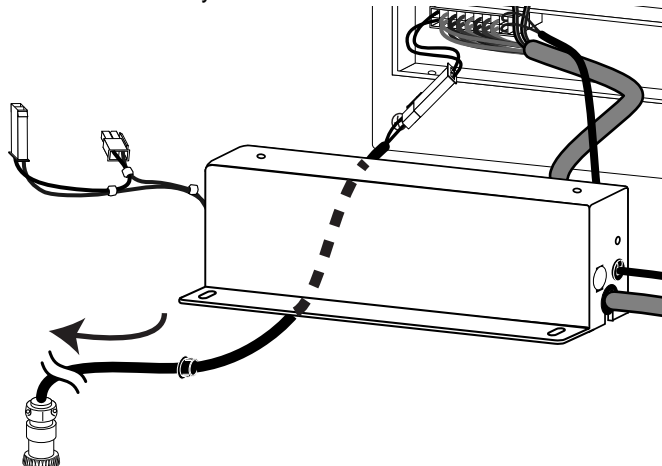
**6** Locate the wires that connect to the power switch.



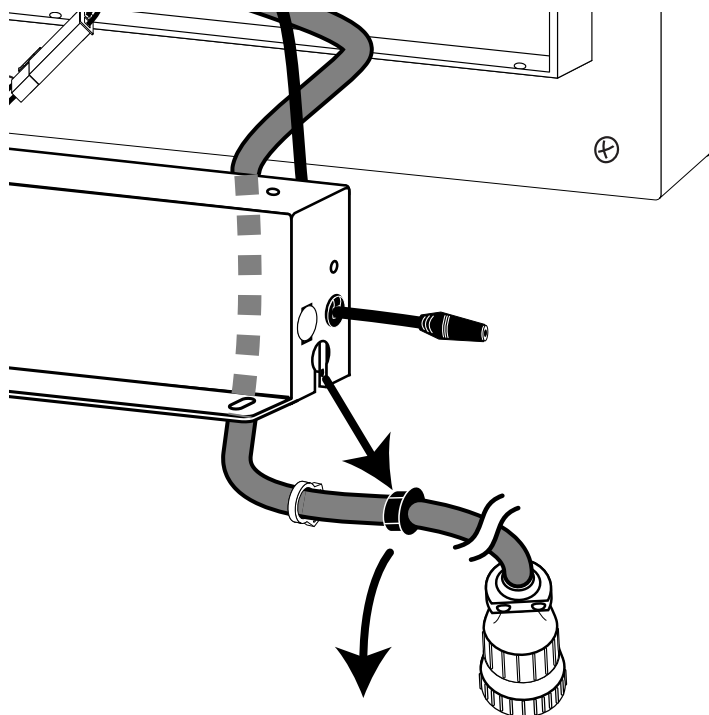
**7** Carefully disconnect the switch from the Touchscreen electronics board and power cable.



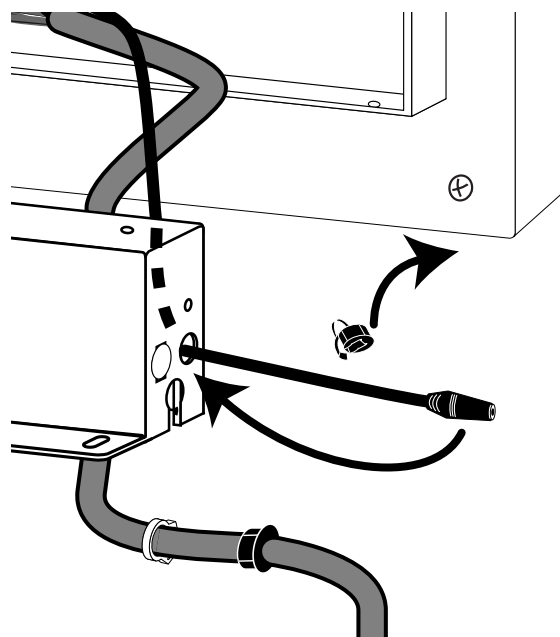
**8** Leaving the rotor cable attached to the electronics board, pop out the strain relief bushing holding the cable. Slide the cable through the housing cover channel and away from the cover.



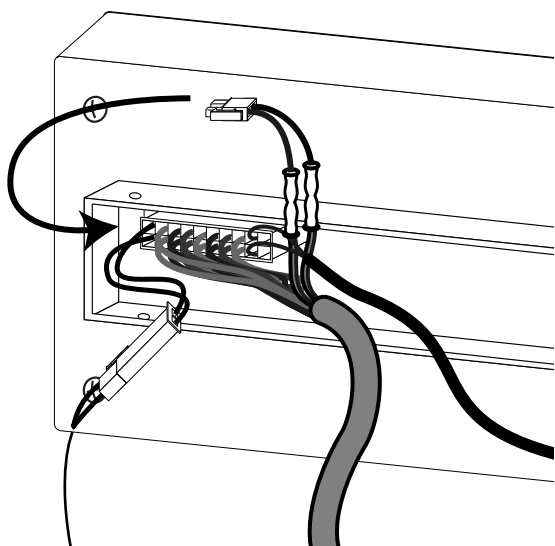
- 9** Likewise, pop out the bushing holding the power cable and remove the cable from the housing cover.



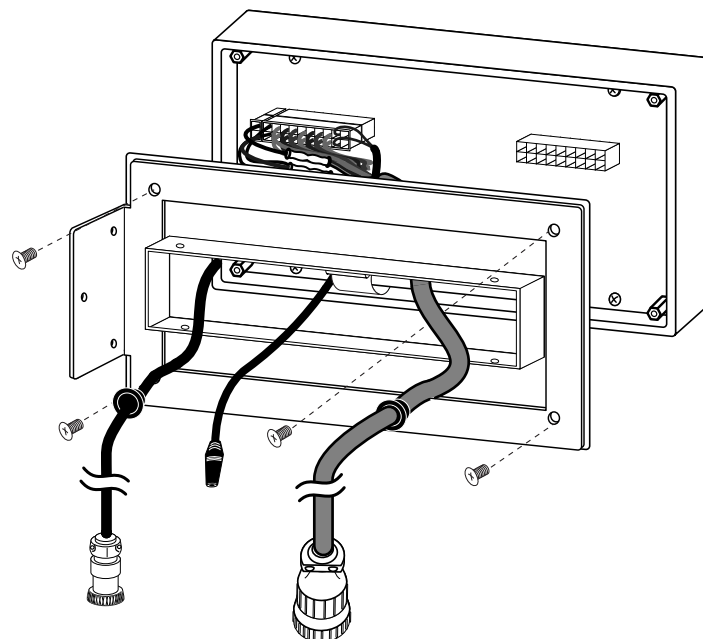
- 10** Pop out and completely remove the bushing holding the spigot switch port cable. Then push the cable back through the housing cover hole and away from the cover. Set the housing cover aside.



- 11** Connect the small power cable switch connection to the port at the far left of the electronics board.

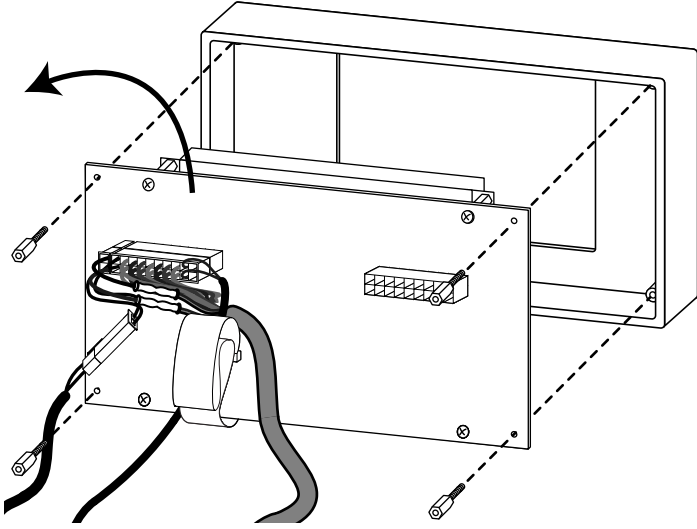


- 12** Remove the back panel of the Touchscreen and set it aside.

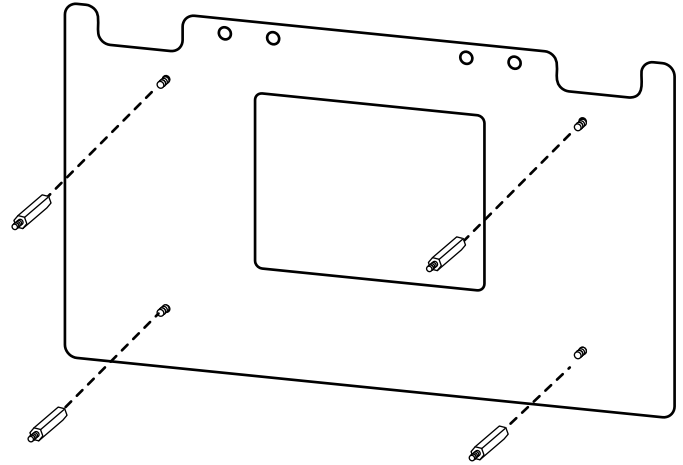


**NOTE: IF YOU HAVE THE MIS 3203 COVER PLATE INSTALLED, THIS STEP MAY HAVE ALREADY BEEN PERFORMED.**

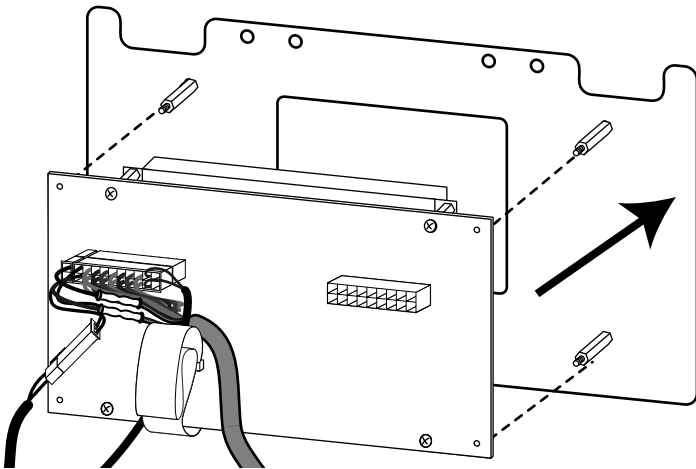
- 13** Remove the spacer pins from the Touchscreen electronics board and remove the board from the Touchscreen housing.



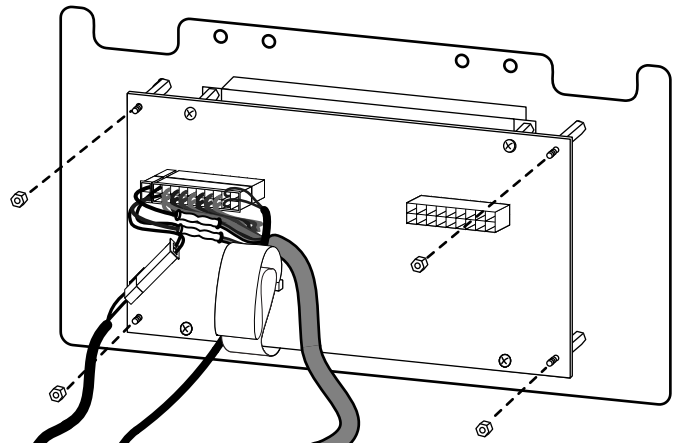
- 14** Screw the spacers onto the four posts of the Touchscreen display plate.



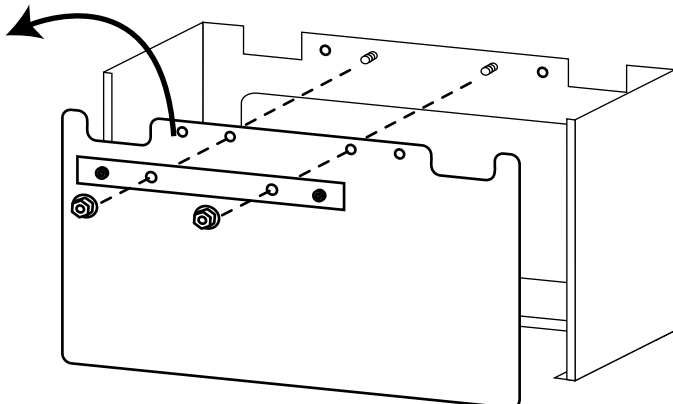
- 15** Install the electronics board onto the spacer posts.



- 16** Secure the electronics board onto the spacer posts using the nuts provided.



- 17** Remove the plexi piece from the display box.



- 18** Install the electronics board and plate assembly to the display box in place of the plexi piece. Use the hardware provided by the display box to secure the pieces.

