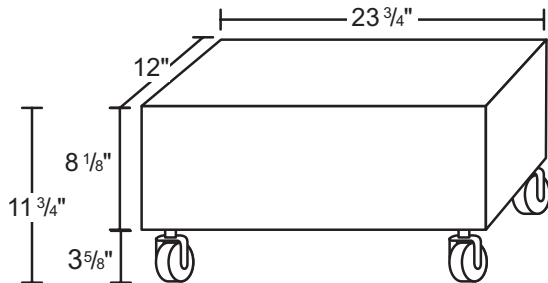


Flavor Burst™

Mobile Carts and Freezer Shelves Dimensions

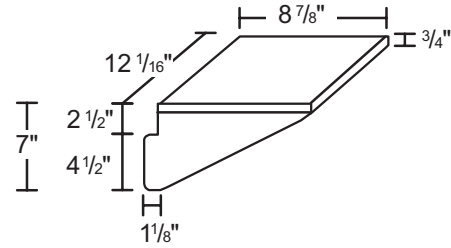
Stand alone mobile carts and add-on freezer shelves are available to complement Flavor Burst™ systems in a variety of installations. Please review the details below for reference and contact your local distributor for ordering or additional information.

CAB 151



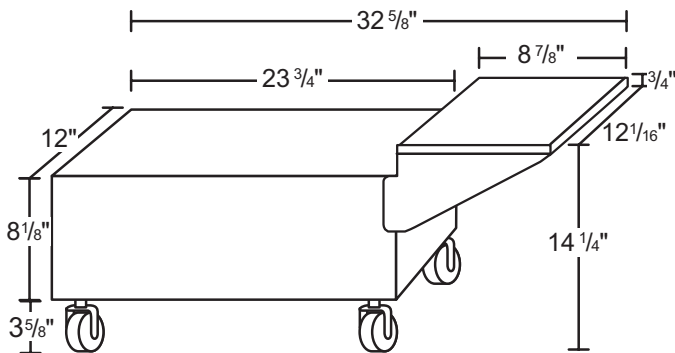
Mobile Cabinet Base

CAB 151-SA



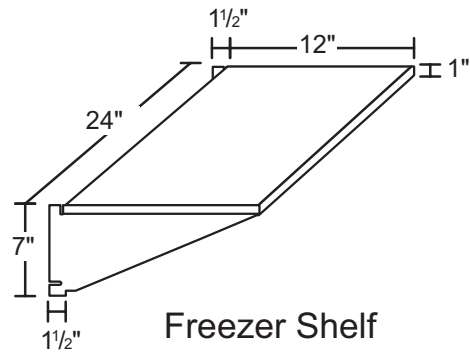
Mobile Cabinet Shelf Assembly

CAB 151-S



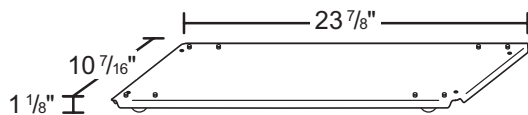
Mobile Cabinet Base with Shelf

MIS 3063



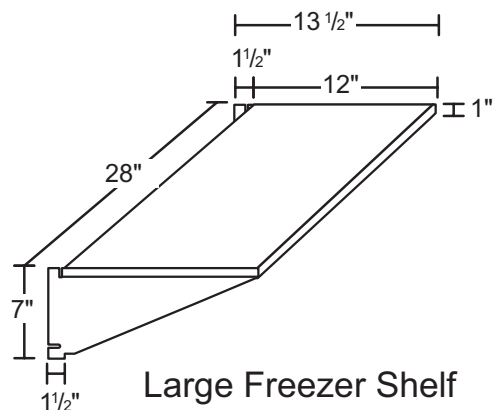
Freezer Shelf

CAB 158-A



Low-Boy Mobile Cart

MIS 3063-28



Large Freezer Shelf