


Flavor Burst[®]

MIS 3207K FCB Display Box Mounting Kit

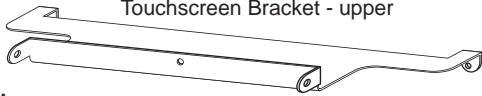
Assembly and Installation

The Touchscreen can be integrated inside the Taylor C314, C300 and C303 FCB freezer display boxes using this kit. Drilling and cutting procedures are involved. For more information, contact your local distributor.

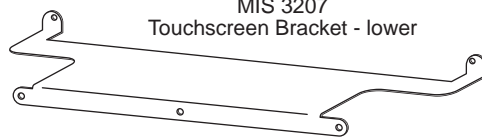
MIS 3207K




MIS 3207A Touchscreen Bracket Support Bar




MIS 3207 (modified) Touchscreen Bracket - upper




MIS 3207 Touchscreen Bracket - lower




FAS 2010 (x7) Bracket Screws




MIS 3211 Swivel Brackets



FAS 2161

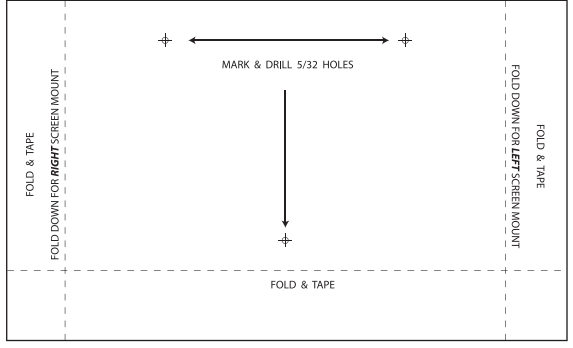


FAS 2146 Spacer Pin




FAS 2010 Display Box Screws


DISPLAY BOX DRILL TEMPLATE



PLACEMENT STICKERS



MIS 3210 1" Grommet



ELE 525 Switch Extension

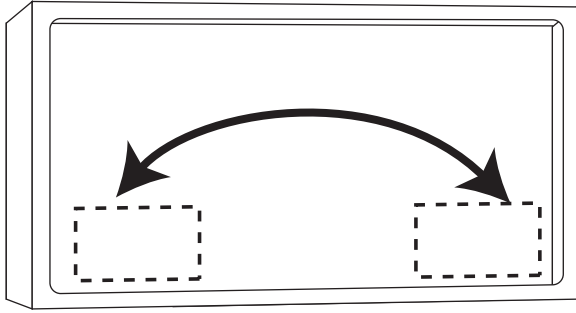
1 Remove the display box from the freezer if it is installed.

2 Remove the plexiglass from the display box and set it aside.

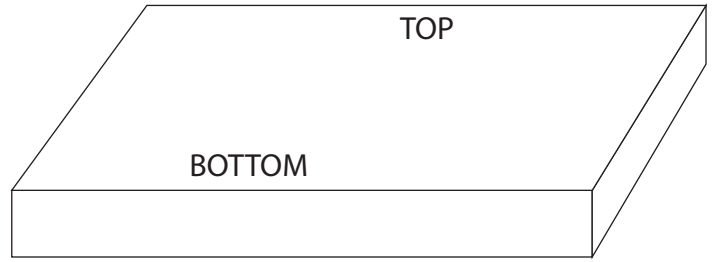
REV053113

pg. 1 of 7

- 3** Determine which side of the display box the Touchscreen will be mounted, right or left.



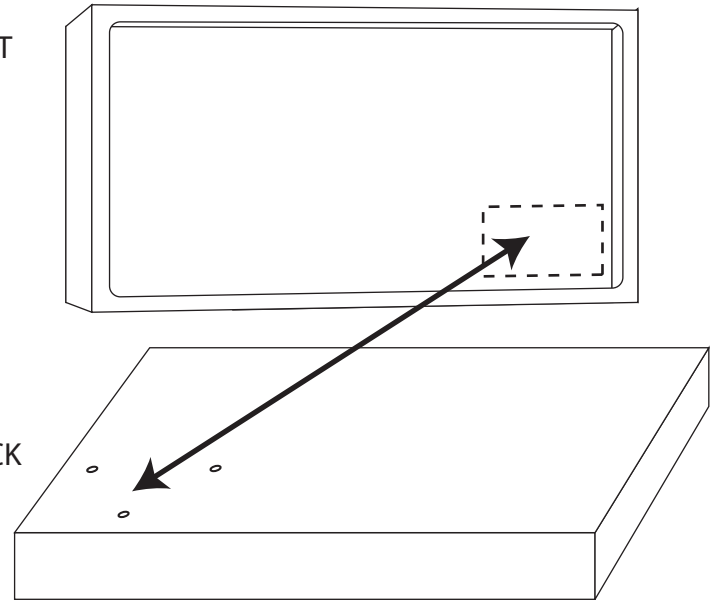
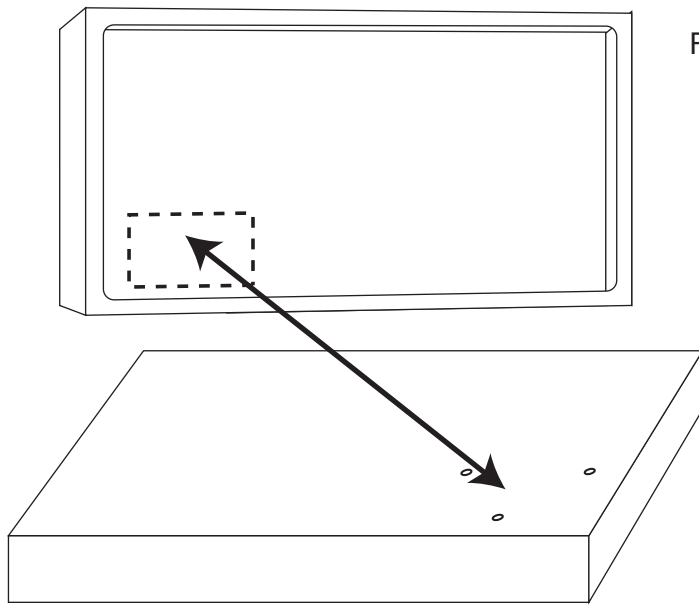
- 4** Place the display box face down on a clean work surface, with the top of the box facing away from you.



- 5** Determine which side of the display box the Touchscreen mounting holes will be drilled. If the Touchscreen is to be mounted on the left side as you are looking at the front of the display box, the holes will be drilled on the right side on the back of the box. If the Touchscreen is to be mounted on the right side as you are looking at the front of the display box, the holes will be drilled on the left side on the back of the box.

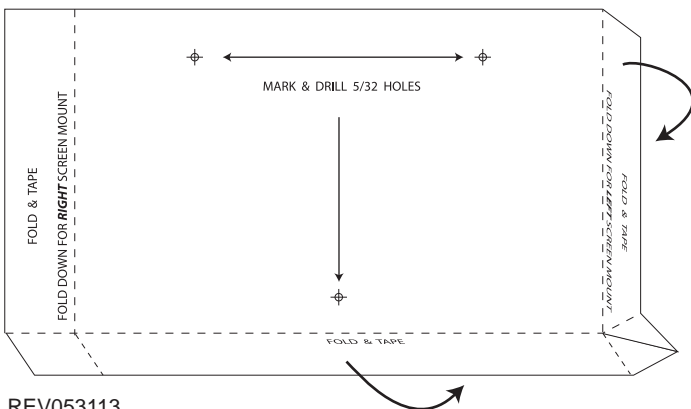
LEFT SIDE INSTALLATION

RIGHT SIDE INSTALLATION

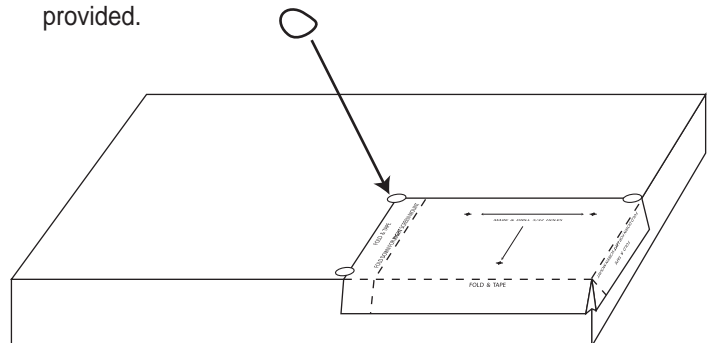


NOTE: THE FOLLOWING ILLUSTRATIONS WILL SHOW A LEFT SIDE MOUNTING OPTION, HOWEVER, RIGHT SIDE MOUNTING IS ALSO ACCEPTABLE.

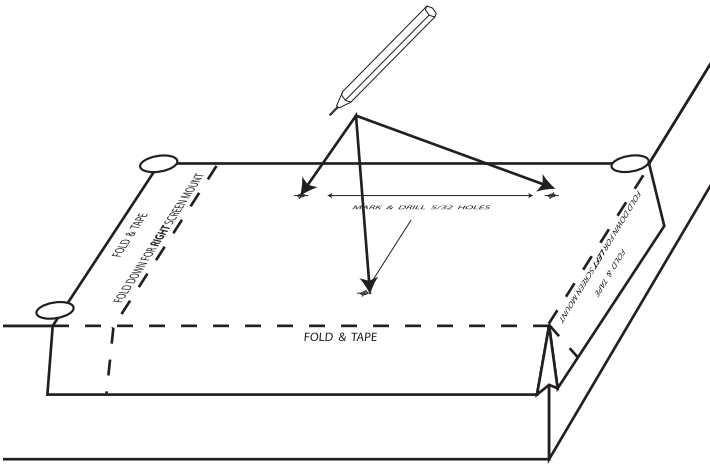
- 6** Fold down the bottom flap of the Touchscreen mounting hole template along the dotted line. Then fold one of the sides of the template, right or left, according to your chosen installation.



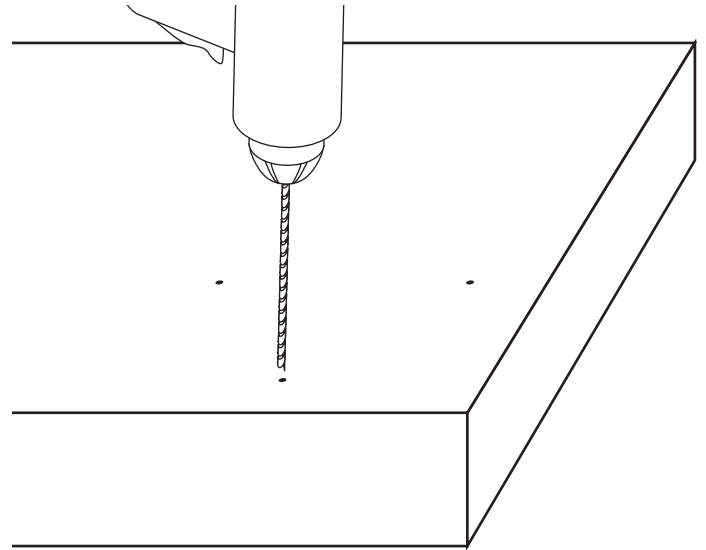
- 7** Place the template over the lower corner of the display box (right corner for a left side Touchscreen installation, left corner for a right side Touchscreen installation). Line up the dotted lines of the template with the edges of the box and secure the template using the sticker tabs provided.



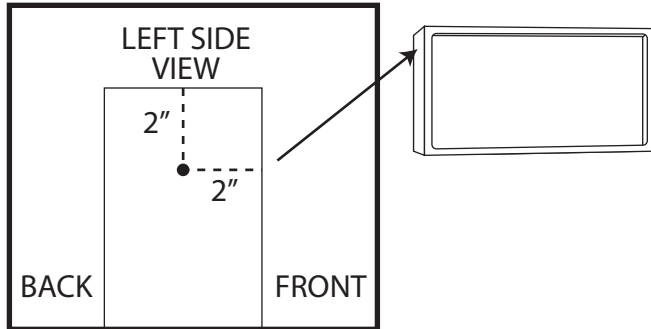
8 Use a sharp pointed tool (push punch, awl or center punch) to mark the centers of each hole according to the template. Ensure all three hole centers are marked on the display box.



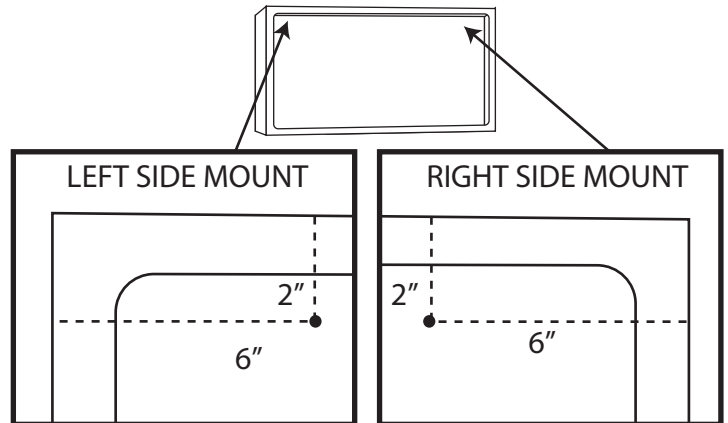
9 Remove the template. Then, using a hand drill and a 5/32 sharp drill bit, drill the three marked holes. Remove any burrs, inside and outside of the box.



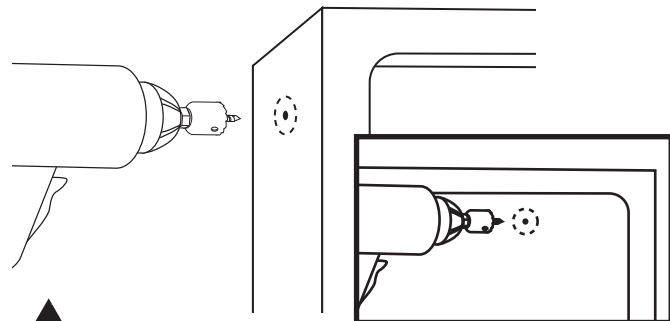
10A **IF YOUR DISPLAY BOX HINGES ON THE LEFT:**
The 1" pass-through hole will be for the main cable will be drilled on the LEFT side of the display box (as you are looking at the front, I the hinged side). Make a mark for the center of the hole on the left side 2" down from the top of the display box and 2" in from the front edge.



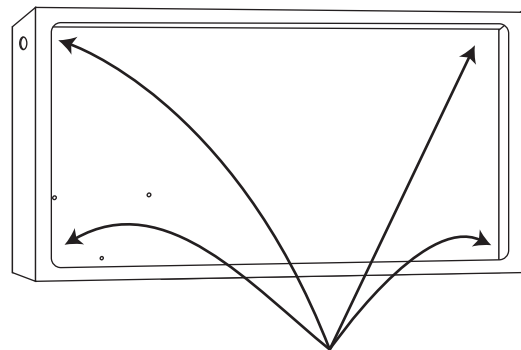
10B **IF YOUR DISPLAY BOX HINGES AT THE TOP:**
With the display box front towards you, make the pass through drill mark on the back panel 2" down and 6" from the side the Touchscreen will be mounted.



11 Drill a pilot hole at the mark, and then use a 1" hole saw to drill the opening. If drilling through the back panel (if the display box hinges on the top), drill through the display box opening and avoid all electrical wires. Deburr both sides of the hole.

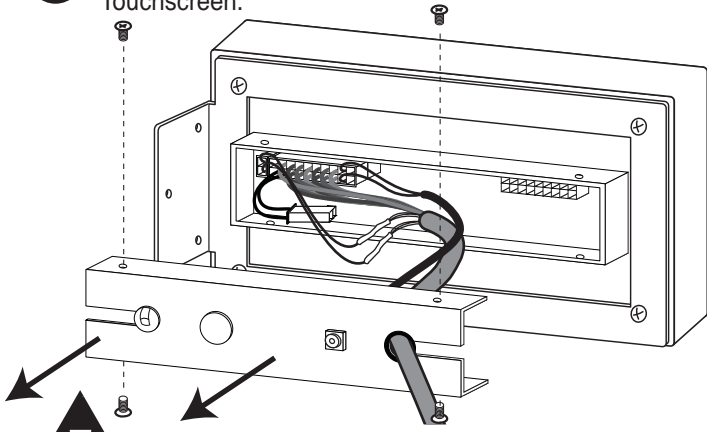


12 Use a vacuum to clean out all the metal fragments from the inside and in the corners of the box. If a vacuum is not available, use high pressure air to blow the fragments out. Ensure ALL electronics in the display box are free from metal fragments.



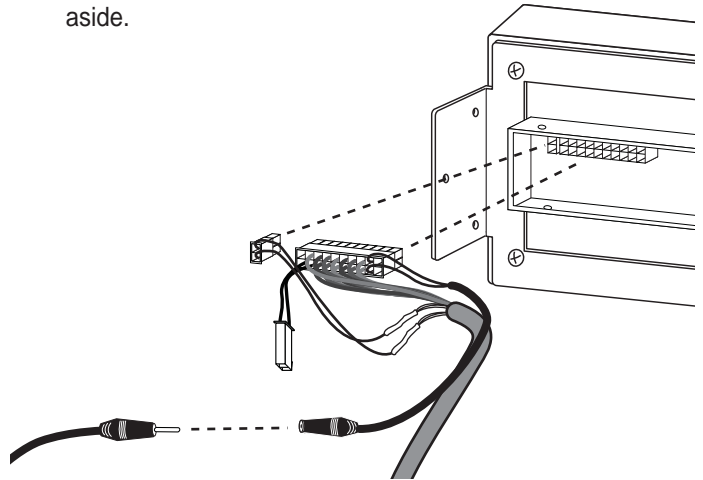
NOTE: ENSURE ALL ELECTRICAL WIRES ARE HELD AWAY FROM THE DRILL SITE.

- 13** Remove the housing bracket from the back of the Touchscreen.

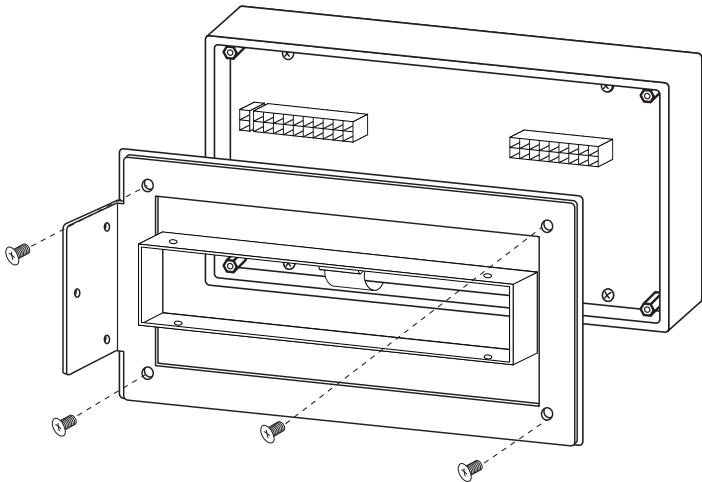


NOTE: HOUSING BRACKET STYLES MAY DIFFER FROM WHAT IS SHOWN.

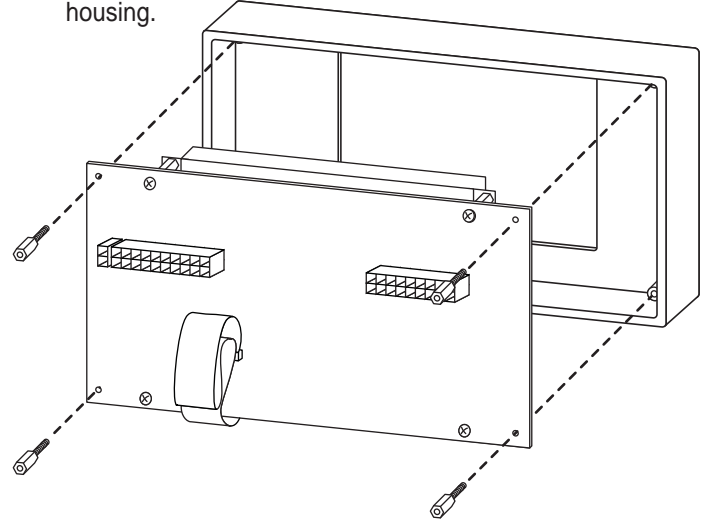
- 14** Disconnect the power cable harness from all the Touchscreen connections. Set the power cable harness aside.



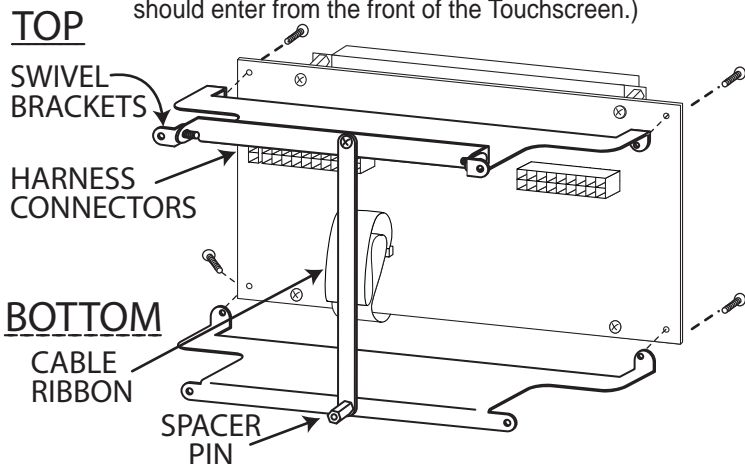
- 15** Remove the back panel of the Touchscreen.



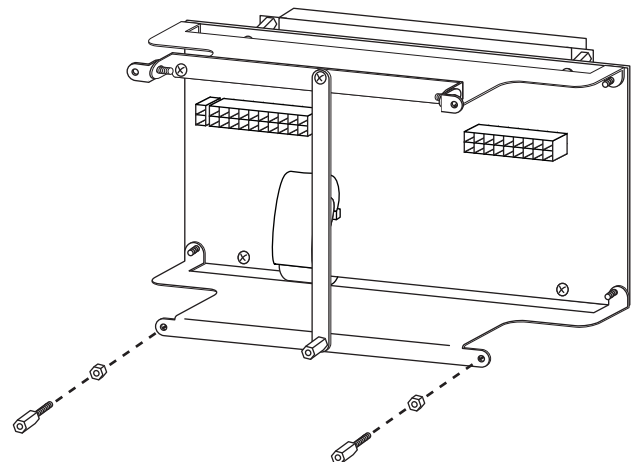
- 16** Remove the spacer pins from the Touchscreen electronics board and remove the board from the Touchscreen housing.



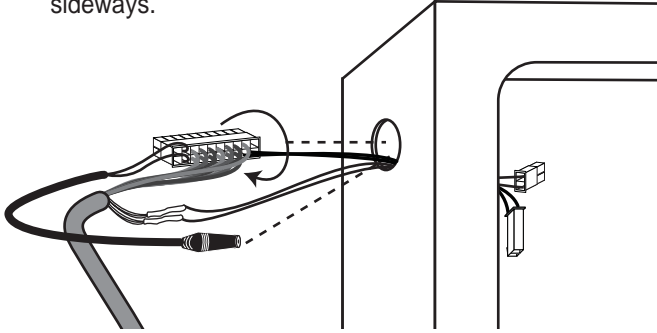
- 17** Place the display box Touchscreen bracket onto the back of the Touchscreen electronics board with the spacer pin at the bottom (near the ribbon cable) and the swivel brackets at the top (near the white harness connectors). Secure the four corners of the Touchscreen board to the bracket using the four screws provided. (The screws should enter from the front of the Touchscreen.)



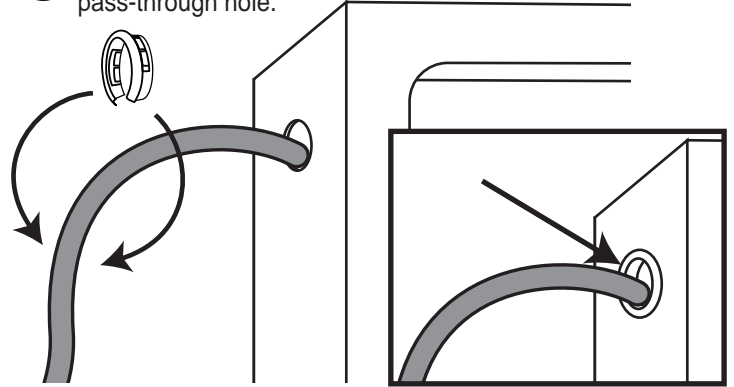
- 18** Install a bracket nut and a spacer pin to each of the holes on the bottom bar of the Touchscreen bracket.



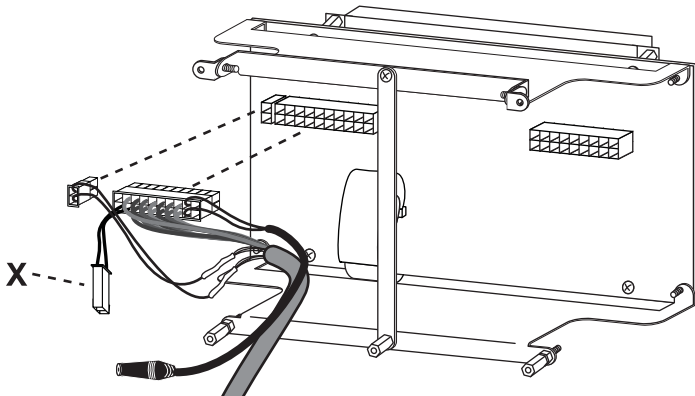
19 Insert the cable harness connections through the pass-through hole. Carefully press the wires against the large white connector and insert it through the hole sideways.



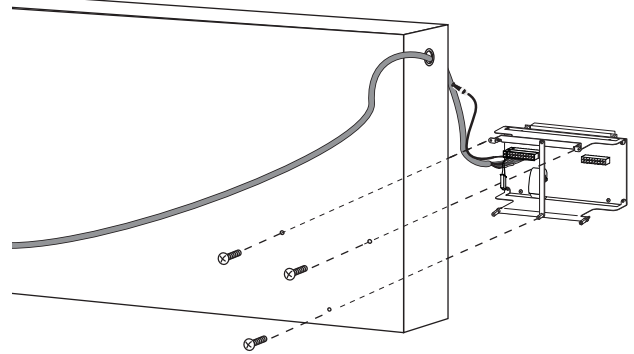
20 Wrap the grommet around the cable and insert it into the pass-through hole.



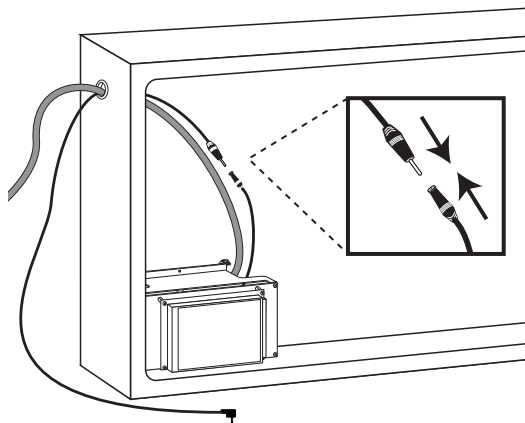
21 Attach the two white cable harness connections to the back of the Touchscreen electronics board. The rotor cable connection (small white rectangular connection with two holes) does not connect to anything in this model. The switch connection will be connected later.



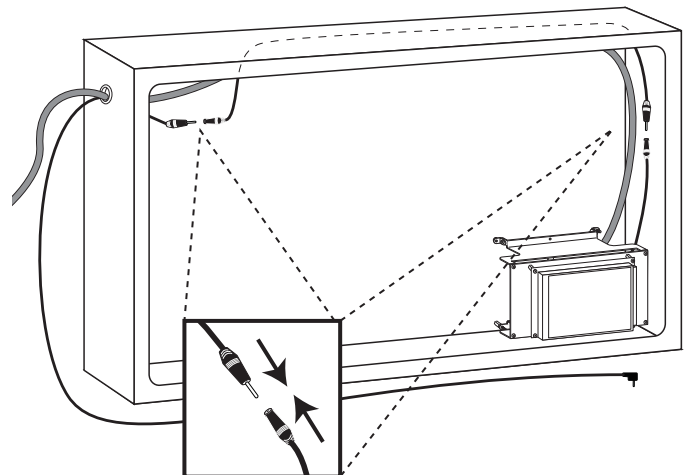
22 Place the Touchscreen assembly inside the display box. Secure the Touchscreen bracket assembly to the back of the box using the three #6 screws provided. Ensure the Touchscreen is mounted securely.



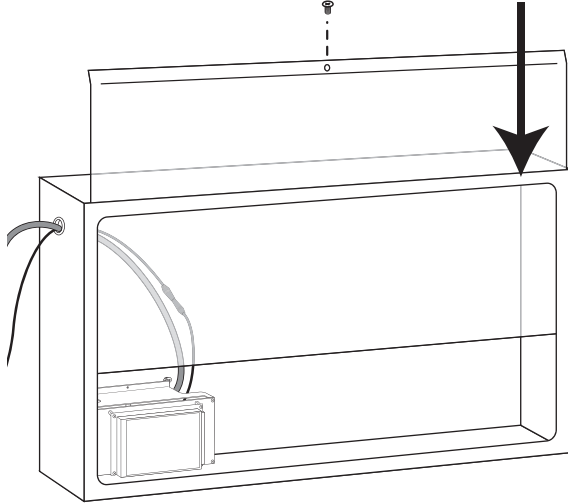
23A IF YOUR TOUCHSCREEN IS MOUNTED ON THE LEFT OR IF THE DISPLAY BOX IS HINGED AT THE TOP: Thread the switch extension included with your FCB system through the pass-through hole and connect it to the switch connection on the Touchscreen. Excess cable should be secured inside the display box.



23B IF YOUR TOUCHSCREEN IS MOUNTED ON THE RIGHT AND THE DISPLAY BOX HINGES AT THE LEFT: Connect the ELE 525 from this kit to the switch extension to the Touchscreen switch port. Secure the extension to the side and top of the inside of the display box, out of the way of the box electronics. Connect the other end of the extension to the ELE 525M switch extension included with the Flavor Burst unit, and exit through the pass-through hole.

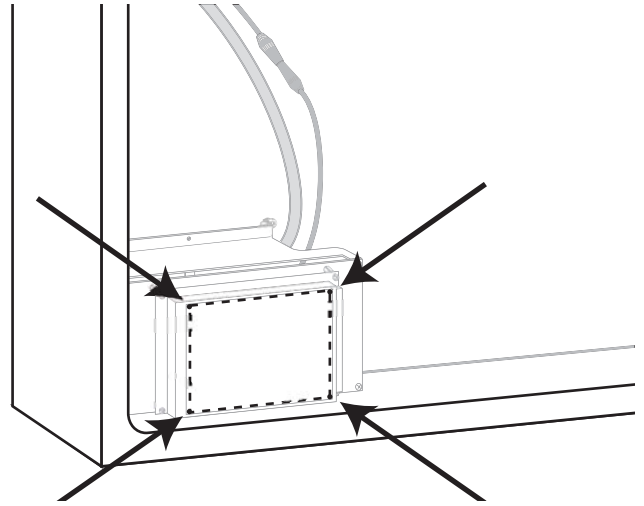


- 24** Insert the plexiglass piece into the display box and secure with the holding screw.



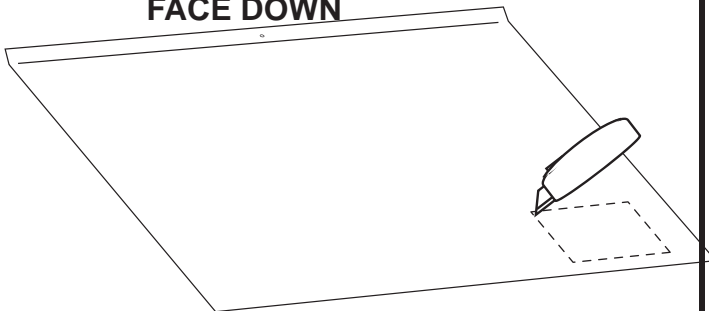
NOTE: ENSURE THE PLEXIGLASS LOCKING SCREW IS INSTALLED SO THAT IT IS FULLY INSERTED AND IN ITS PROPER PLACE WITH THE TOUCHSCREEN.

- 25** Using a right-angle straight-edge and a felt-tip pen, mark on the plexiglass inside of the four corners of the illuminated screen of the Touchscreen. Then use a straight edge to connect the four dots.



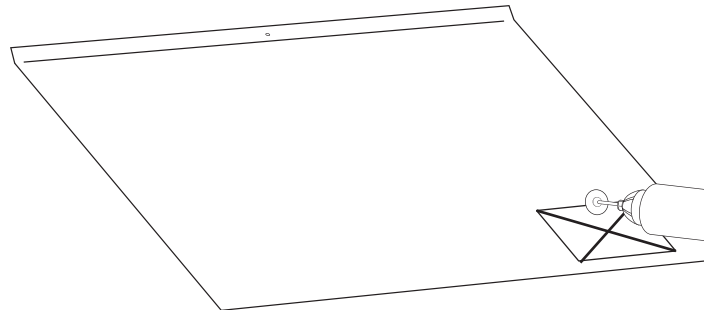
- 26** Remove the plexiglass and place it face down on a clean work surface. Use a sharp cutting tool and straight edge to score the lines marked on the plexiglass. Score the each line at least four times applying gentle pressure each time.

FACE DOWN



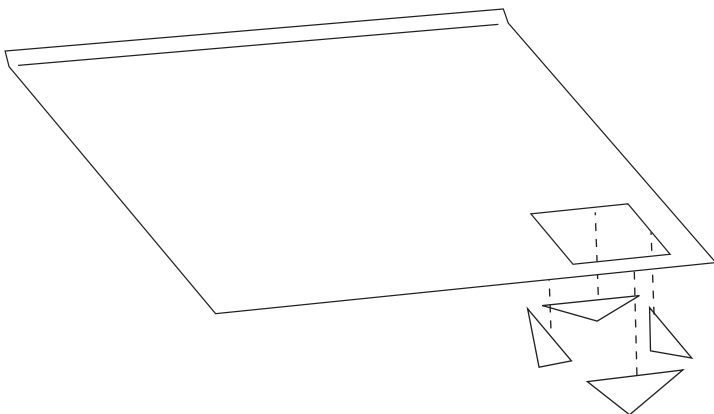
NOTE: PLEXIGLASS CAN BE VERY FRAGILE, SO TAKE CARE AND TIME WHEN CUTTING THIS PIECE FOR THE NEXT FEW STEPS.

- 27** Use a dremel tool to cut an "X" inside the scored lines. Be sure to cut all the way to the corners, but not outside the lines.

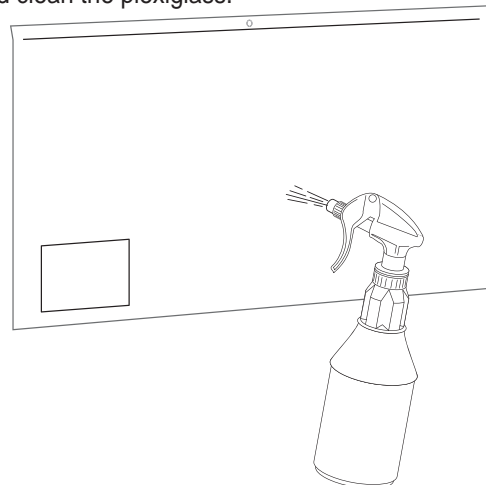


NOTE: YOU CAN ALSO DRILL A HOLE IN THE CENTER OF THE OPENING AND CUT THE "X" USING A JIG SAW AND FINE-TOOTH METAL BLADE. BE CAREFUL NOT TO SCRATCH THE PLEXIGLASS.

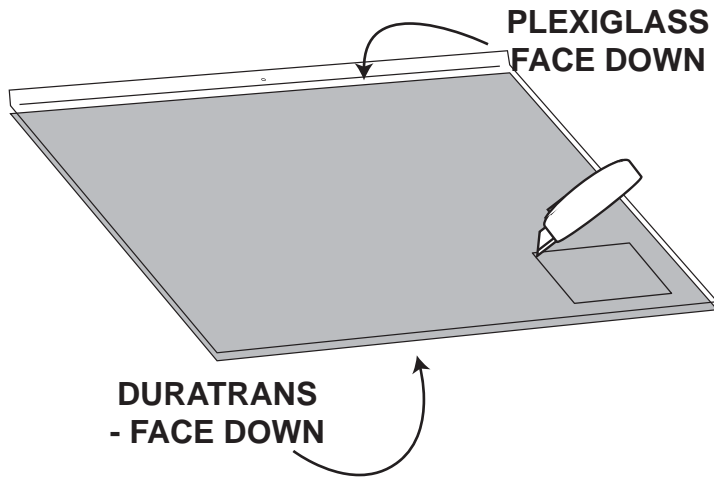
- 28** Carefully apply pressure on each cut quadrant to snap off each piece. The plexiglass pieces should break along the outer scored lines.



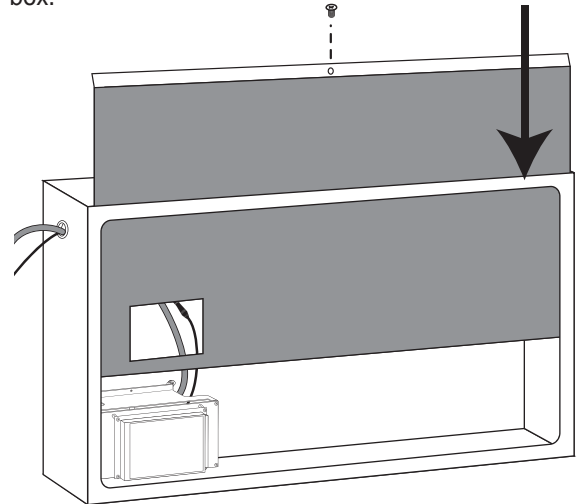
- 29** Smooth out the rough edges and corners of the opening and clean the plexiglass.



- 30** If using a duratrans, use the plexiglass piece as a template and cut a Touchscreen opening in the duratrans. Line up the bottom edges and be mindful which side of the duratrans needs to be cut (ie. if the plexiglass is face down, the duratrans should be cut face down).



- 31** Install the plexiglass and duratrans inside the display box.



NOTE: IT MAY BE HELPFUL TO TAPE THE BOTTOM EDGE OF THE DURATRANS TO THE PLEXIGLASS BEFORE INSTALLING.

- 32** Install the display box back onto the freezer to complete the assembly. Refer to your Operations Manual for further instructions on setting up the rest of your Flavor Burst system.

