

Flavor Burst[®]

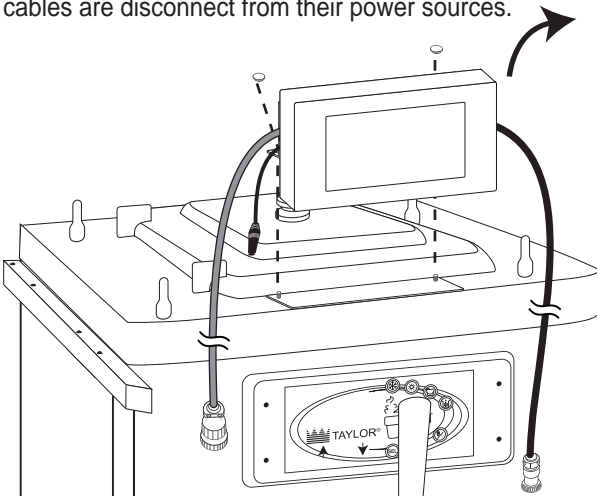
MIS 3203K Touchscreen Housing Cover Kit

Assembly and Installation

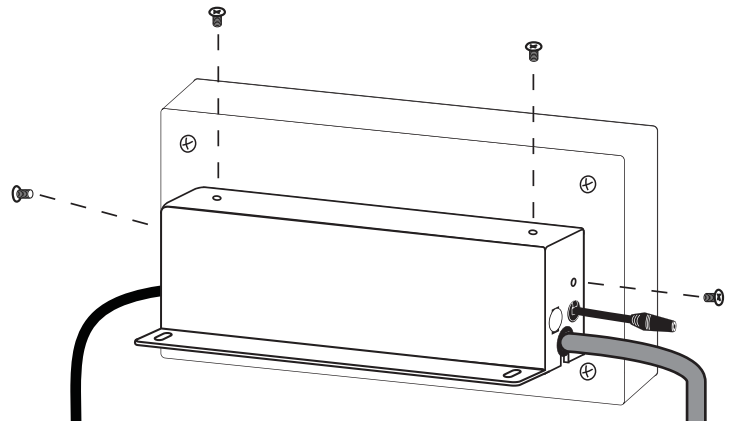
The MIS 3203K Touchscreen Housing Cover Kit replaces the larger Touchscreen cover for side-mounting brackets or for use with the facade freezer cover. For more information, contact your local distributor.



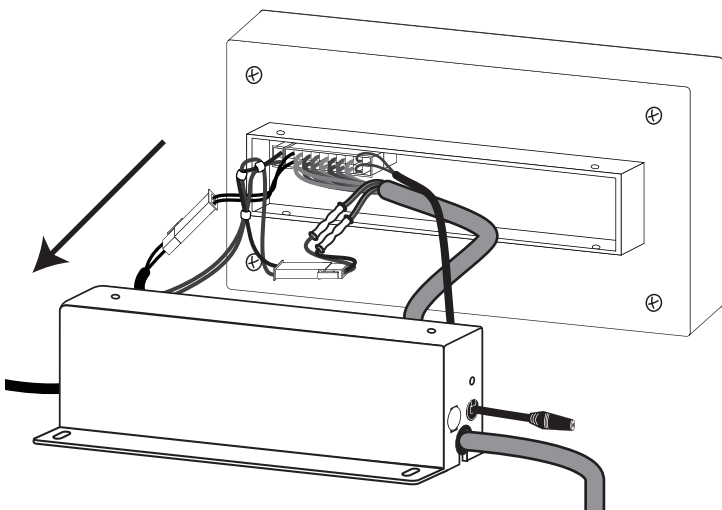
- 1** Completely disconnect and remove the Touchscreen from the freezer and/or mounting bracket. Ensure all the cables are disconnect from their power sources.



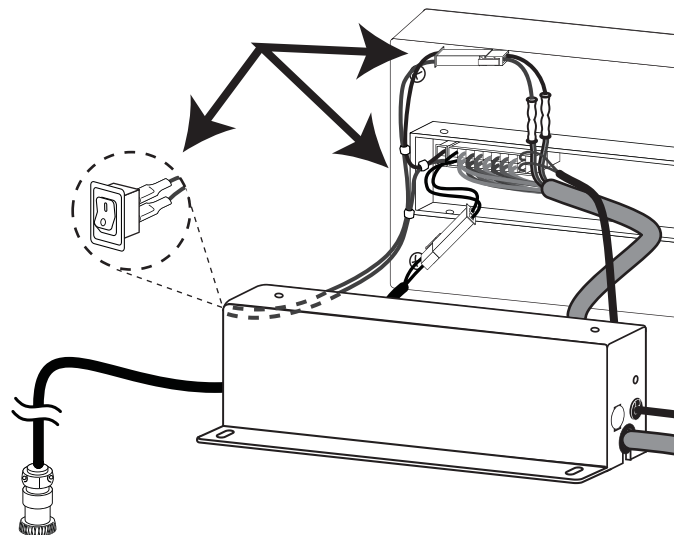
- 2** Remove the four screws from the old Touchscreen housing cover. Set them aside.



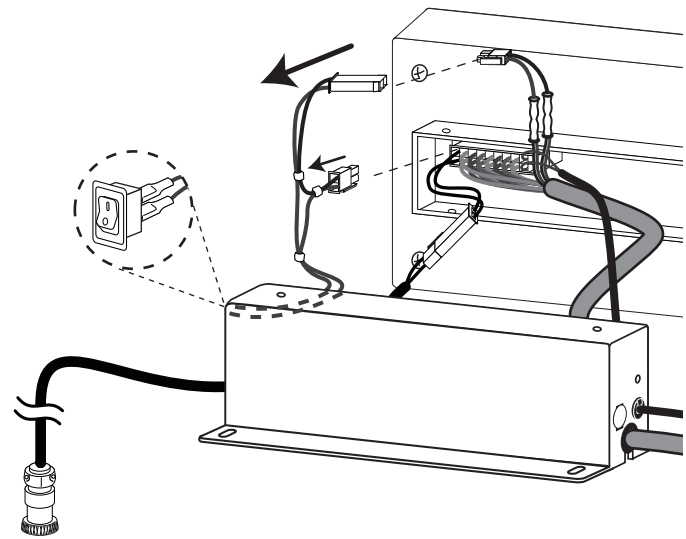
- 3** Gently pull back the Touchscreen cover to access the connections inside. Be very careful not to pull any of the wires loose.



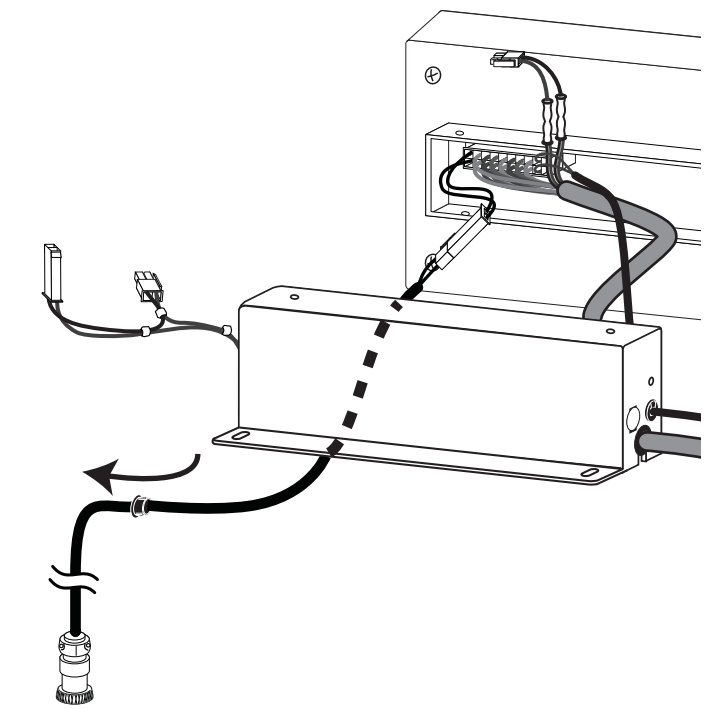
- 4** Locate the wires that connect to the power switch.



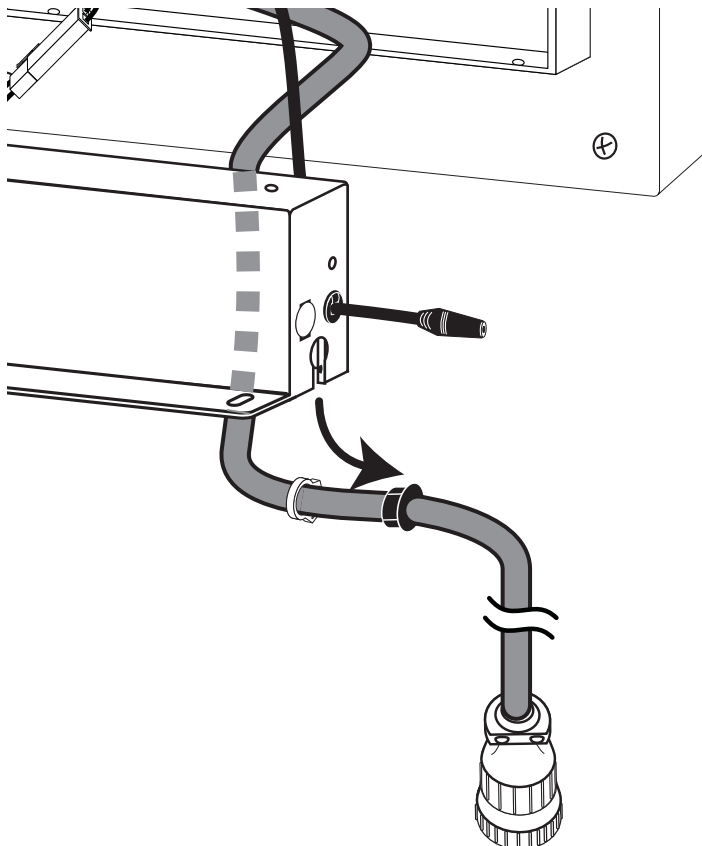
5 Carefully disconnect the switch from the Touchscreen electronics board and power cable.



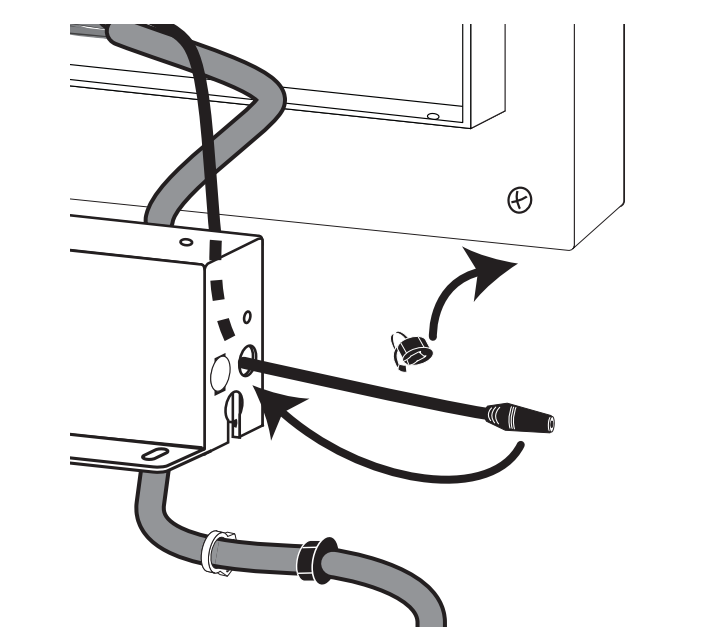
6 Leaving the rotor cable attached to the electronics board, pop out the strain relief bushing holding the cable. Slide the cable through the housing cover channel and away from the cover.



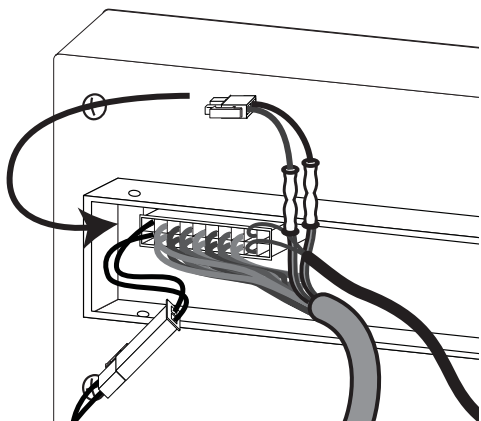
7 Likewise, pop out the bushing holding the power cable and remove the cable from the housing cover.



8 Pop out and completely remove the bushing holding the spigot switch port cable. Then push the cable back through the housing cover hole and away from the cover. Set the housing cover aside.

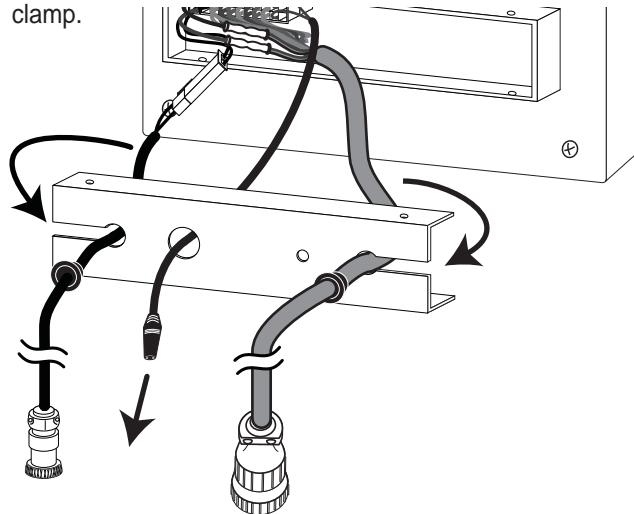


- 9** Connect the small power cable switch connection to the port at the far left of the electronics board.

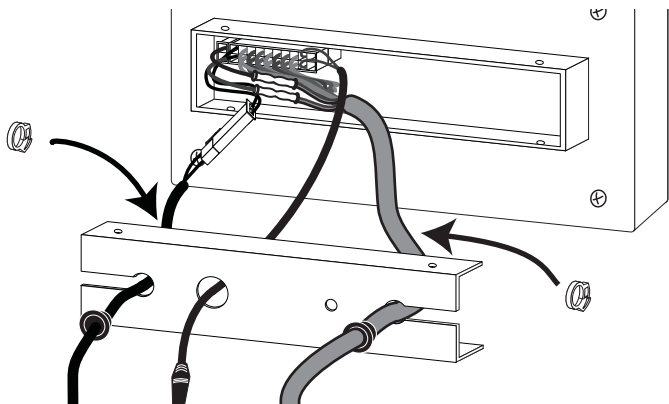


NOTE: THE MIS 3203 COVER PLATE DOES NOT HAVE AN ON-OFF POWER SWITCH. TO POWER THE TOUCHSCREEN OFF AND ON, USE THE SWITCH AT THE BACK OF YOUR CABINET UNIT.

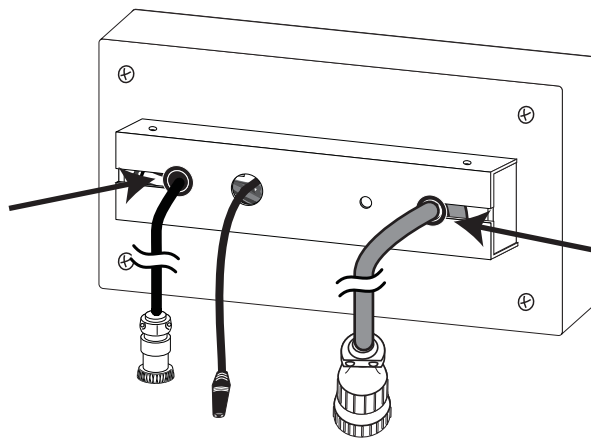
- 10** Slide the rotor cable through the left slot of the MIS 3203 cover plate. Insert the spigot switch port through the large middle hole. Slide the power cable through the cover slot on the right, in between the bushing and the clamp.



- 11** Install a clamp on the rotor cable on the inside of the cover near where the main cable splits. If your power cable does not already have a clamp, install one on it also.



- 12** Place the new housing cover over the Touchscreen opening. Carefully guide the excess cable through each hole and pop in the bushings to secure the cables.



- 13** Using the screws from the old housing cover, install two screws to the top of the new cover to secure the assembly.

