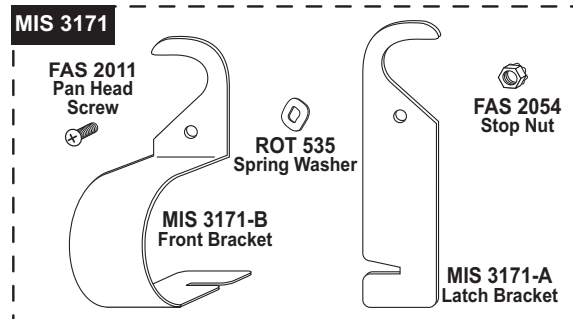


# Flavor Burst™

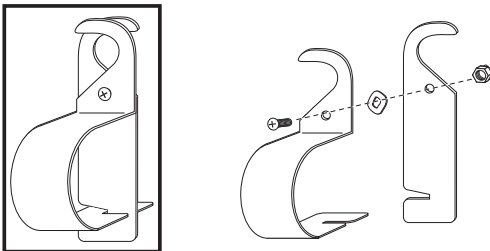
## MIS 3171 Shake Blender Suspension Bracket

### Assembly and Installation

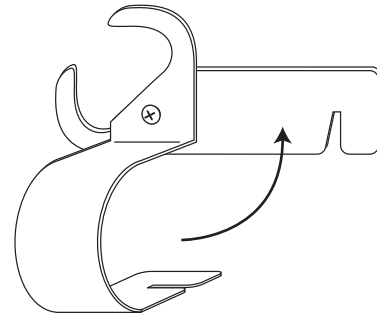
The MIS 3171 Suspension Bracket supports the Blending Assembly and helps to secure it to the freezer door. This Bracket Assembly fits most common frozen beverage freezer models. However, other brackets are available for different freezer models. Contact your local distributor for more information.



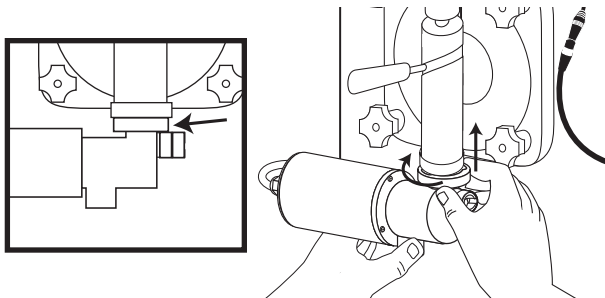
- 1 Assemble the Mounting Bracket as shown. Insert the screw through the large bracket plate, then through the spring washer and finally through the back plate. Secure the assembly with the nut and tighten.



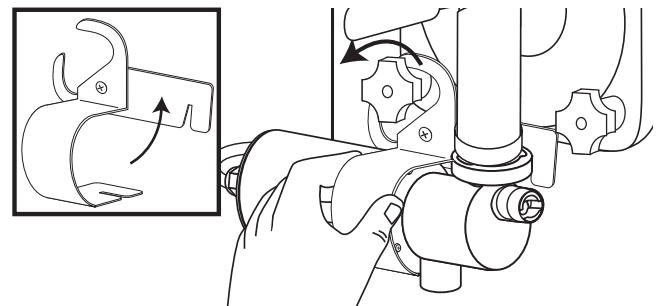
- 2 Rotate the latch bracket so that it is perpendicular to the front bracket. This is the "open" position.



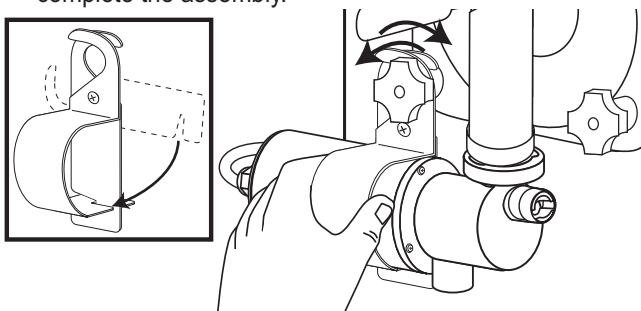
- 3 Install the Blending Head fully over the Blending Adapter so that the locking collar covers the tabs on the Adapter. Rotate the locking collar to secure.



- 4 Install the Mounting Bracket over the Blending Assembly motor and onto the door post. Ensure the bracket hangs directly below the door post.



- 5 Swing the latch bracket down to close the bracket behind the Blending Assembly and around the door post to complete the assembly.



- !** ENSURE THE TWO BRACKET PLATES CONNECT THROUGH THE SLOTS AT THE LOWER ENDS OF THE PLATES.

