

Flavor Burst™

MIS 3167 Menu Panel Kit

Assembly and Installation

The Menu Panel Kit attaches to the Flavor Burst CC8 system to display the variety of flavors housed within the CC8 containers. The durable flavor labels included with the kit are easily interchangeable. The Menu Panel assembly can be mounting to either side of the CC8 Mounting Base. Follow these instructions for the assembly and installation of the MIS 3167 Menu Panel Kit, or for more information, contact your local distributor.



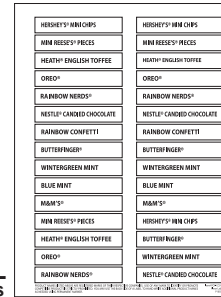
MENU PANEL



FAS 2024

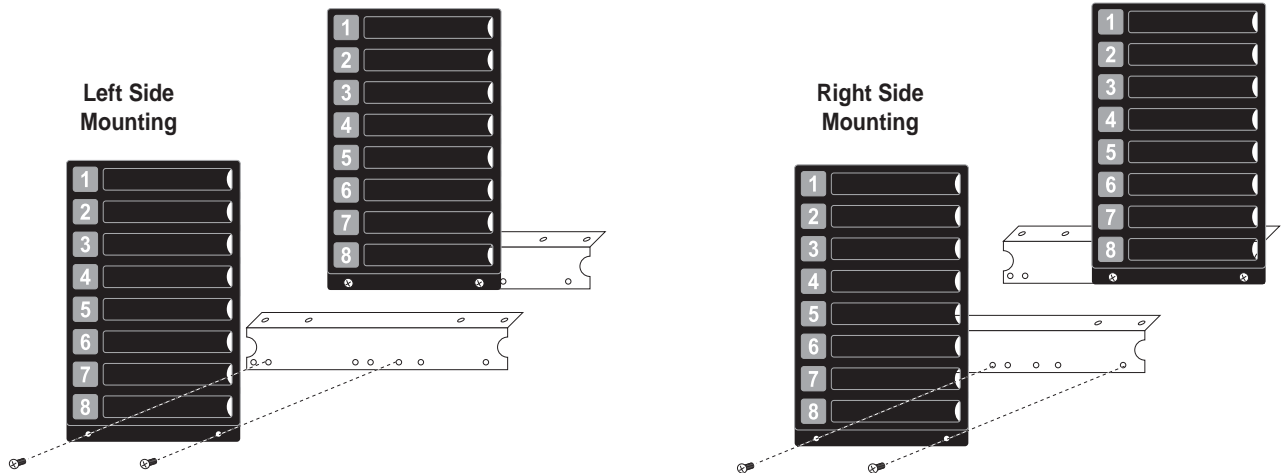


CW 146A
Mounting Bracket

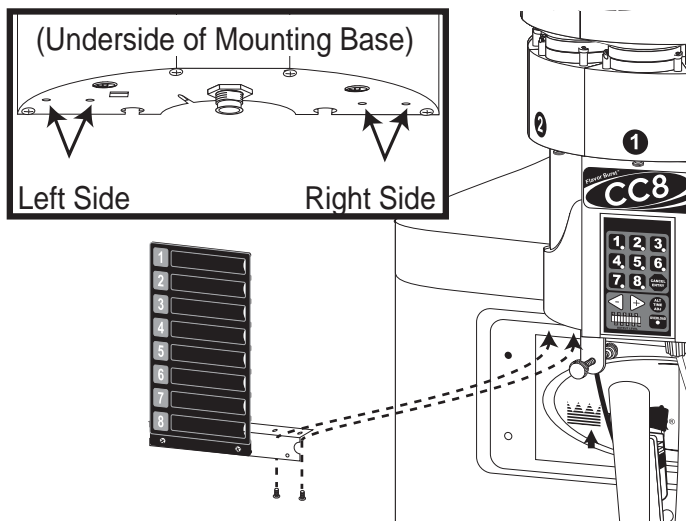


MIS 3167-L
Flavor Labels

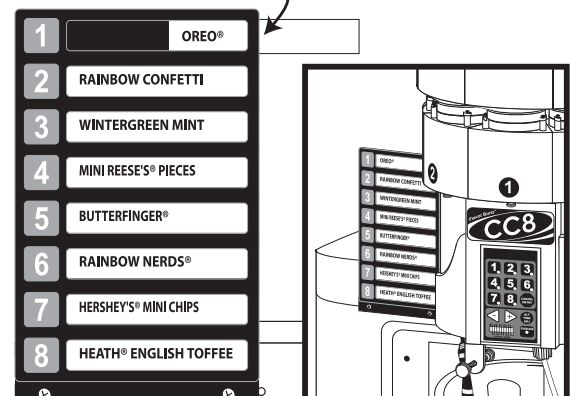
- Determine which side of the CC8 Mounting Base to attach the Menu Panel assembly. Attach the Menu Panel to the bracket using two of the screws provided as shown. For mounting on the right side of the freezer, install the Panel on the right side of the bracket. For left-side mounting, install it on the bracket's left side.



- Using the remaining two screws, attach the Panel assembly to the underside of the Mounting Base.



- Choose the flavor labels that correspond to the products in the containers and slide each label into the slots of the Display Panel.



NOTE: ENSURE THE NUMBERED FLAVORS OF THE MENU CORRESPOND WITH THE NUMBERED FLAVORS OF THE CONTAINERS.