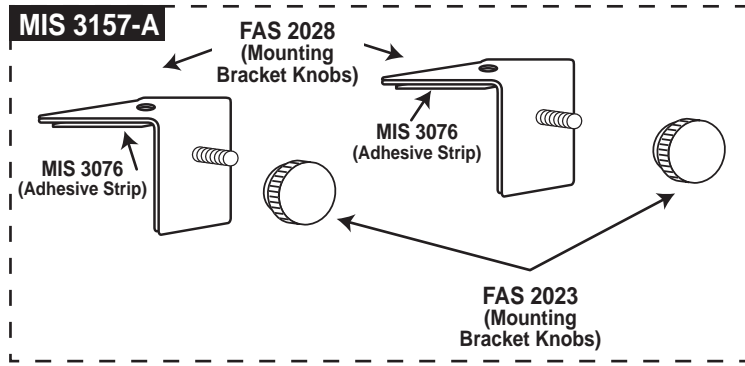


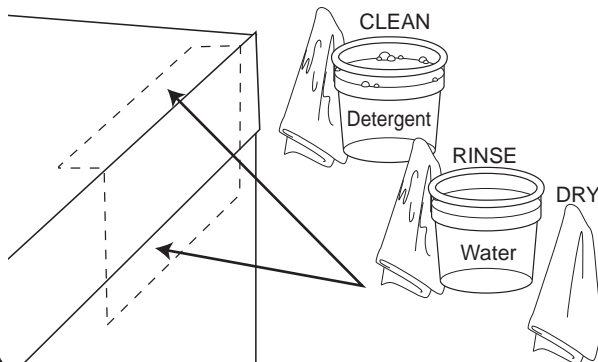
Flavor Burst™

MIS 3157-A Electronics Controller Box Mounting Bracket Kit Installation

The Electronics Controller Box can be mounted directly to the freezer using this mounting bracket kit, either vertically or horizontally or mounted on a flat surface. The electrical connections for the CC8 are located on the Electronics Controller Box. For more information, contact your local distributor.

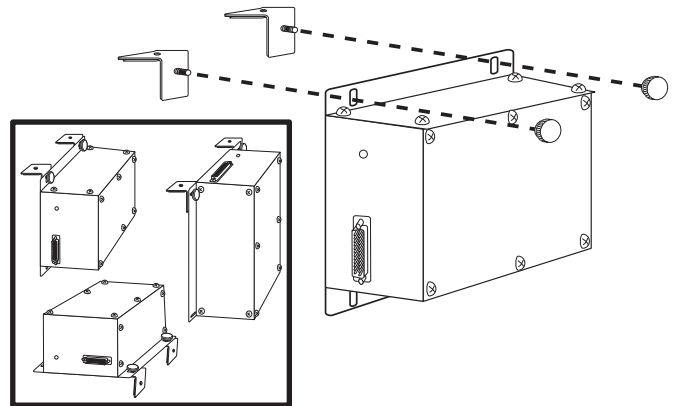


- 1** Determine the approximate area to mount the Electronics Controller Box. Clean and dry the area where the Electronics Controller Box is to be mounted.

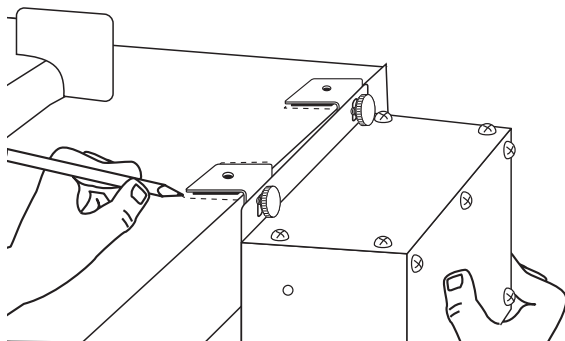


NOTE: ENSURE THE BOX DOES NOT COVER ANY AIR VENTS THAT ARE CRITICAL TO VENTING THE FREEZER.

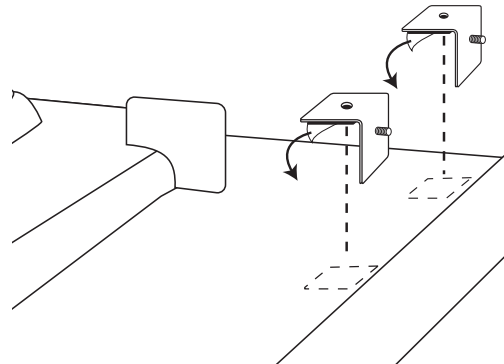
- 2** Install the two mounting bracket plates to the Electronics Controller Box and tighten each thumb screw to secure. The bracket can be configured into different positions to accommodate a vertical or horizontal mounting.



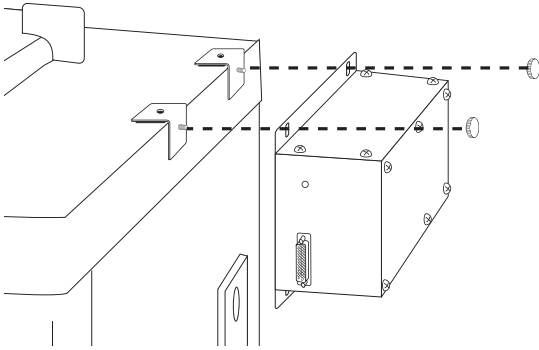
- 3** Position the Box assembly in the desired mounting position on the freezer and mark around the brackets with a soft lead pencil.



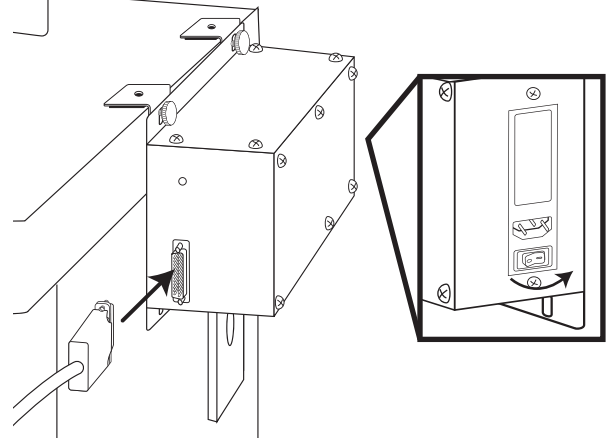
- 4** Remove the brackets from the Box. Remove the protective tape from the adhesives and press each bracket into place within the markings on the freezer. Allow the bracket adhesive to cure for at least 24 hours.



- 5** Install the Electronics Controller Box onto the bracket posts and tighten the hand knobs to secure.



- 6** Ensure the power-switch is in the "off" position. Connect the Mounting Base Cable to the receptacle on the Electronics Controller Box and tighten the relief screws to secure.



- 7** Connect the 110-volt (220-volt) power cord connector to the outlet on the Box and then plug the power cord into the wall receptacle to complete the installation.

