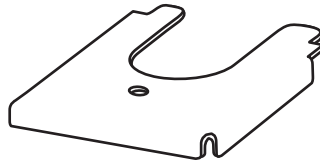


Flavor Burst™

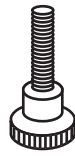
MIS 3130-EF Adapter and Bracket Assembly Assembly and Installation



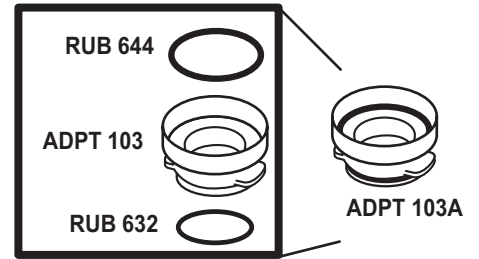
MIS 3130-L



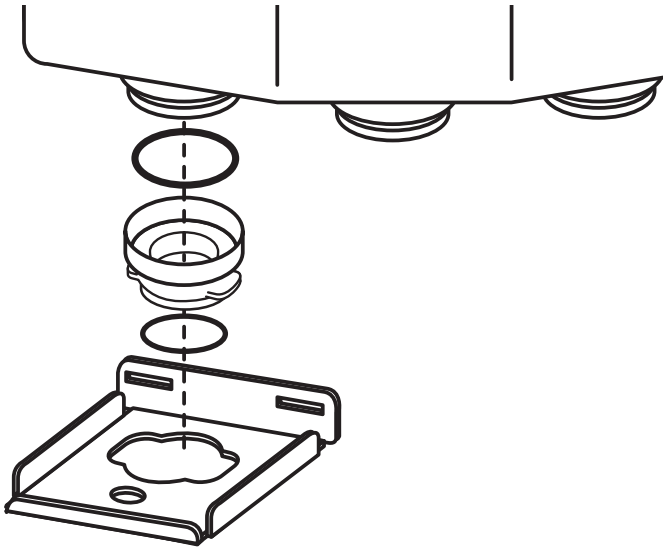
MIS 3130-U



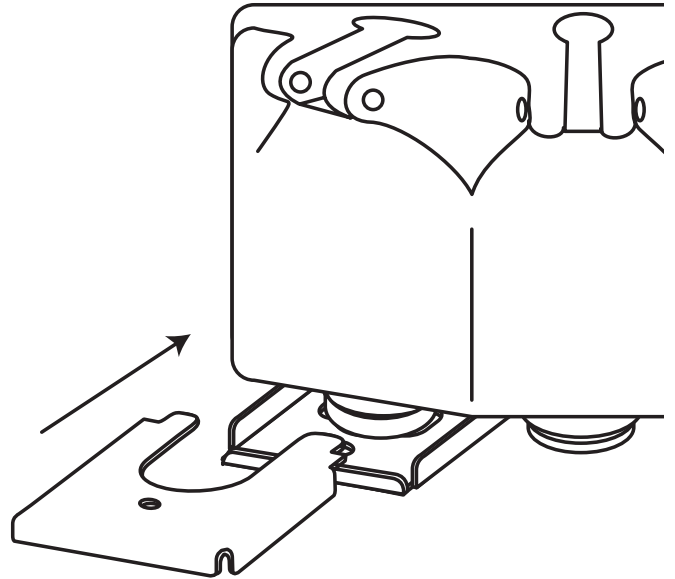
FIX 2016



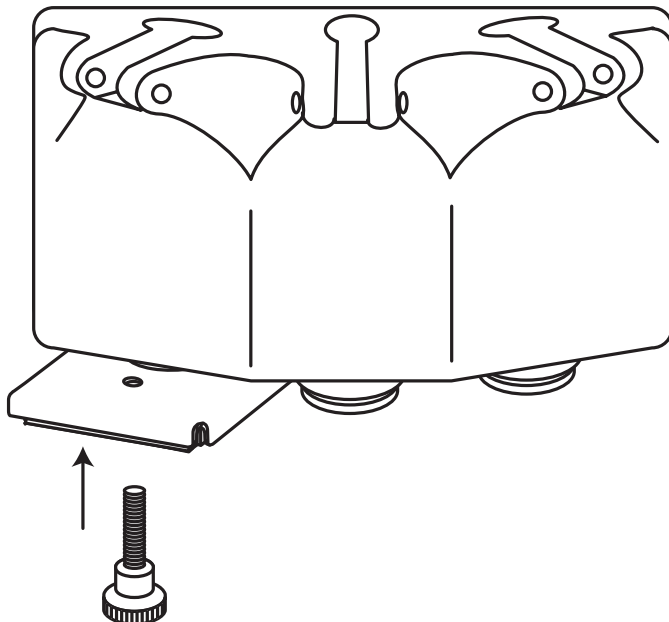
- 1** Install the black o-rings on the Adapter, set it inside the Bracket Base, and then attach it to the freezer door spout.



- 2** Slide the Bracket Cover over the Adapter & Bracket Base. Be sure that the tabs of MIS 3130-U slide into the slots of MIS 3130-L.



- 3** Thread the Hand Screw through the two bracket parts until snug to secure.



- 4** Assembly complete.

