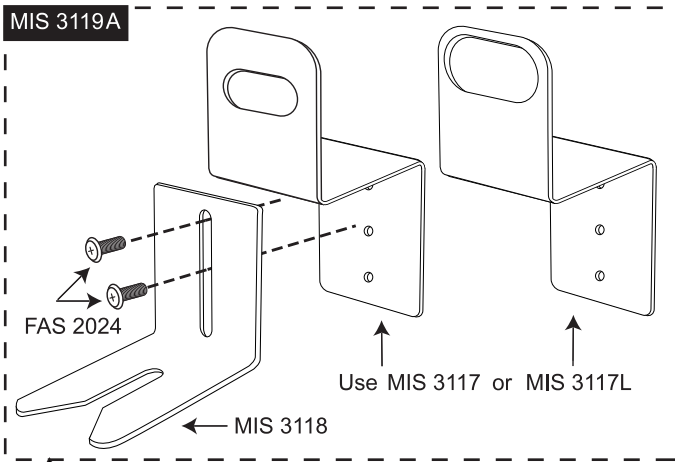


# Flavor Burst™

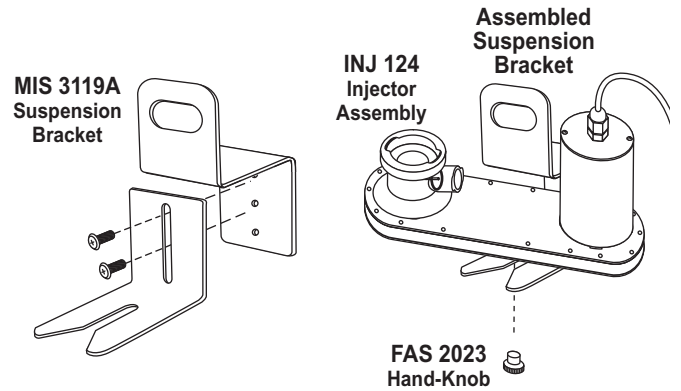
## MIS 3119A Suspension Mounting Bracket Assembly and Installation

MIS 3119A

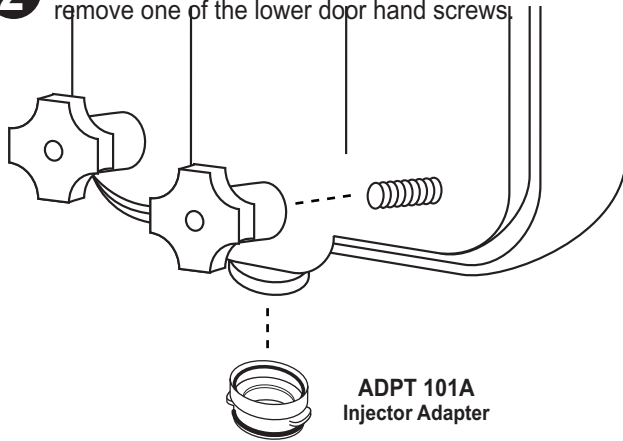


**NOTE:** TWO UPPER BRACKETS ARE INCLUDED WITH THE MIS 3119A SUSPENSION BRACKET ASSEMBLY. SELECT THE APPROPRIATE BRACKET FOR YOUR FREEZER: MIS 3117 (STANDARD) OR MIS 3117L (FOR MODELS WITH RECESSED HAND SCREWS).

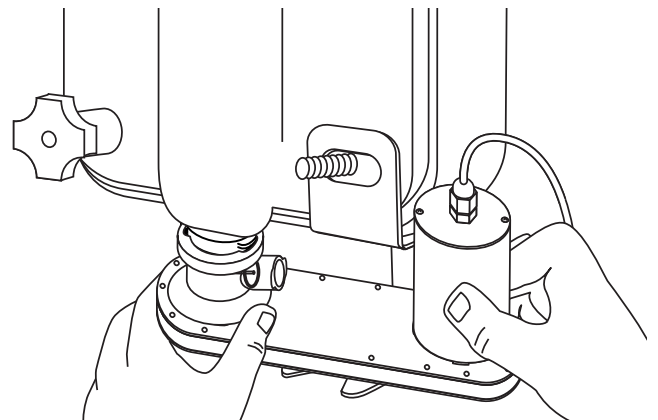
**1** Assemble the bracket and attach it to the Injector Assembly using the black hand-knob.



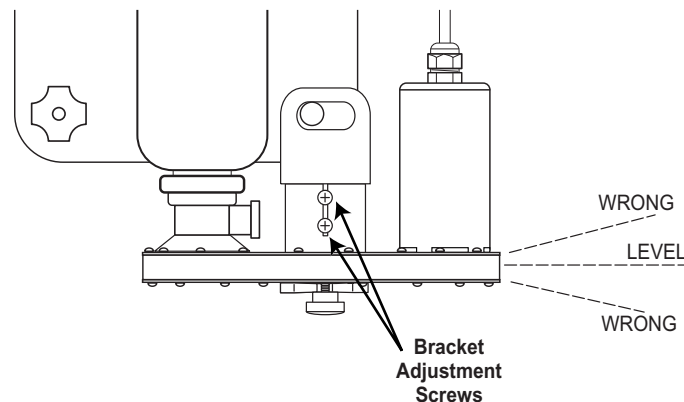
**2** Install the Injector Adapter onto the freezer spout and remove one of the lower door hand screws.



**3** Hang the suspension bracket on the post and attach the Injector Assembly to the Injector Adapter.



**4** Ensure the Injector Assembly is level. If the Assembly is not level, adjust the screws on the bracket to the appropriate height.



**5** Replace the door hand screw and tighten to secure the Injector Assembly. Use the bracket screws for any

