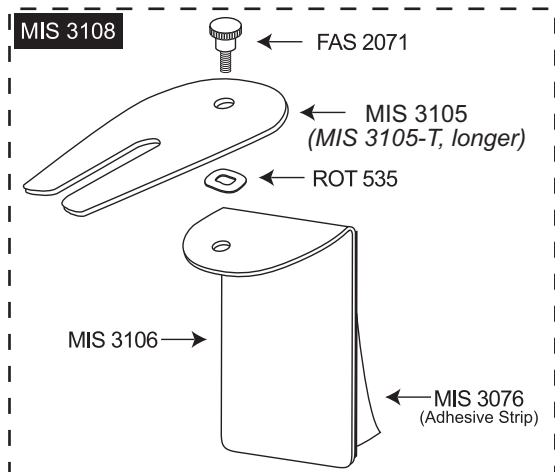


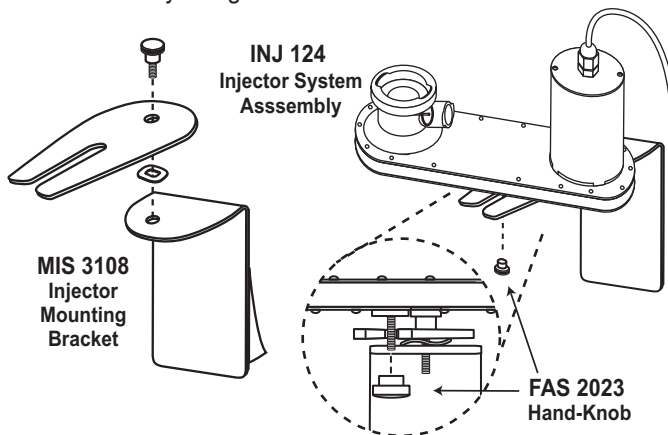
Flavor Burst™

MIS 3108 or MIS 3108-T Universal Mounting Bracket Assembly and Installation

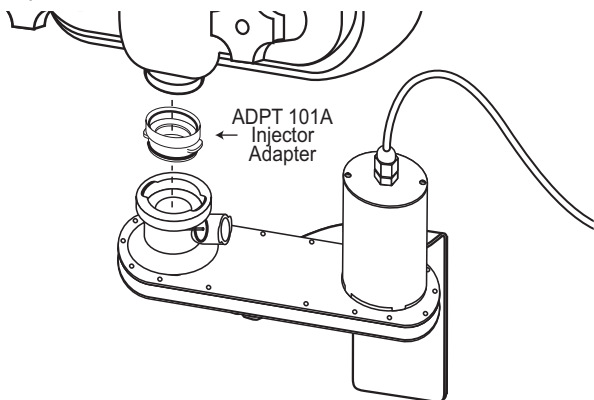


NOTE: THIS BRACKET IS OPTIONAL AND NOT INCLUDED AS STANDARD EQUIPMENT WITH THE FLAVOR BURST™ UNIT. BEFORE ATTACHING THE BRACKET, BE SURE TO THOROUGHLY CLEAN AND DRY THE FACE OF THE FREEZER WHERE THE BRACKET BASE WILL BE ATTACHED.

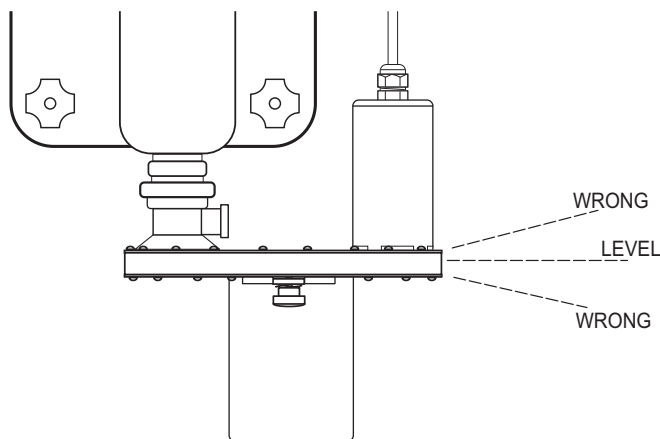
- 1** Assemble the bracket and attach it to the Injector Assembly using the black hand-knob.



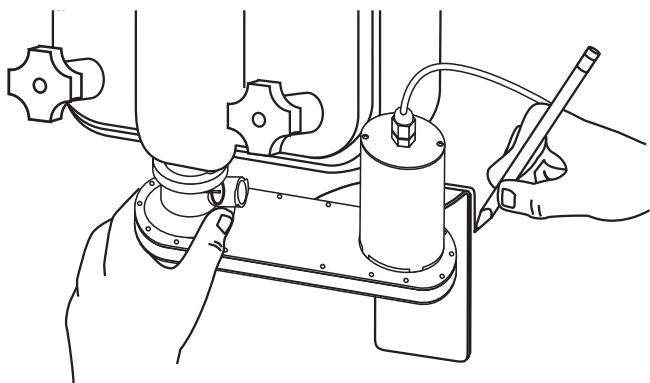
- 2** Snap the Injector Adapter onto the freezer spout and attach the Injector Assembly with bracket to the Injector Adapter.



- 3** Ensure the INJ 124 Injector Assembly is level.



- 4** Move the bracket base into a position on the face of the freezer where the Injector Assembly is level. On the freezer panel, mark around the bottom and sides of the bracket base using a pencil.



- 5** Disconnect the Injector Assembly from the Injector Adapter. Remove the protective tape from the adhesive strip on the bracket base, and press the base firmly against the freezer panel to complete the assembly.

