

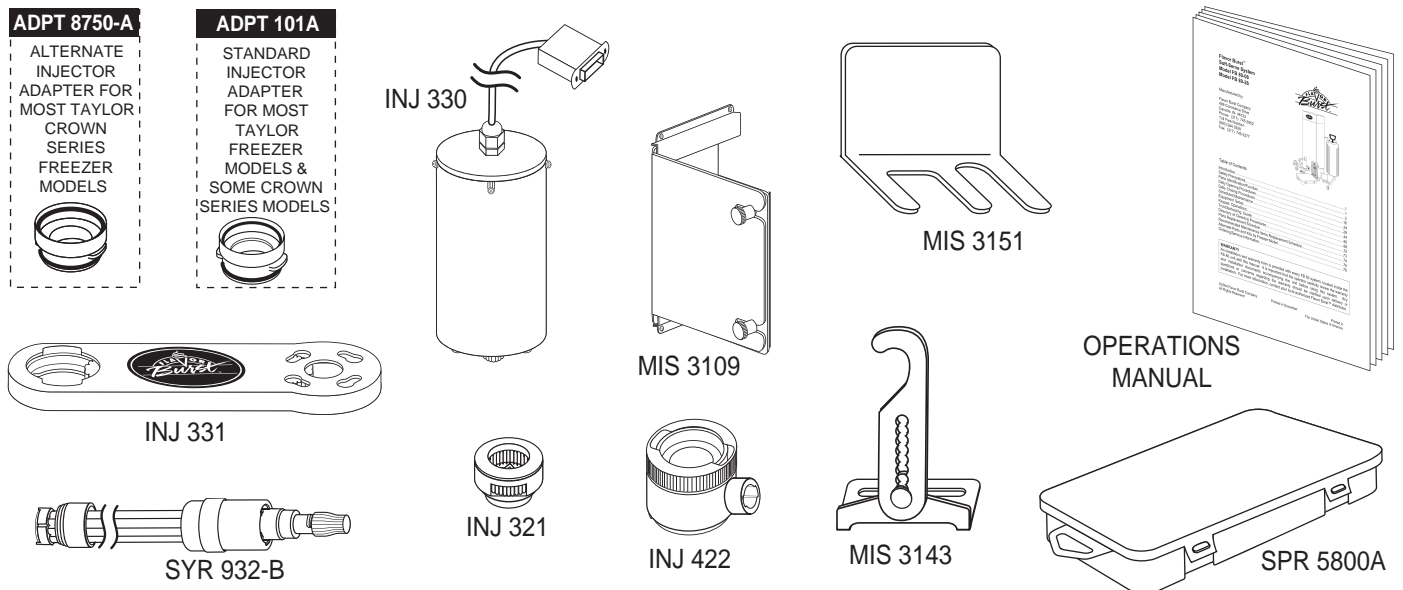
Flavor Burst®

INJ 425 Complete Injector Assembly with Syrup Line & Brackets Assembly and Installation

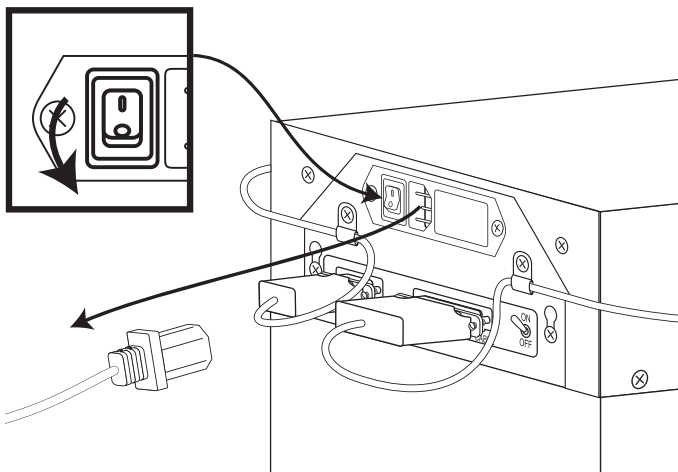
The FB 80 Upgrade Kit includes several significant changes in the Injector Assembly, Syrup Line Connectors, and Injector Adapter. In addition to these upgraded components, many of the procedures outlined for the older Flavor Burst® systems have been simplified in the FB 80 systems. Be sure to review the new Operations Manual and keep this material accessible at all times.



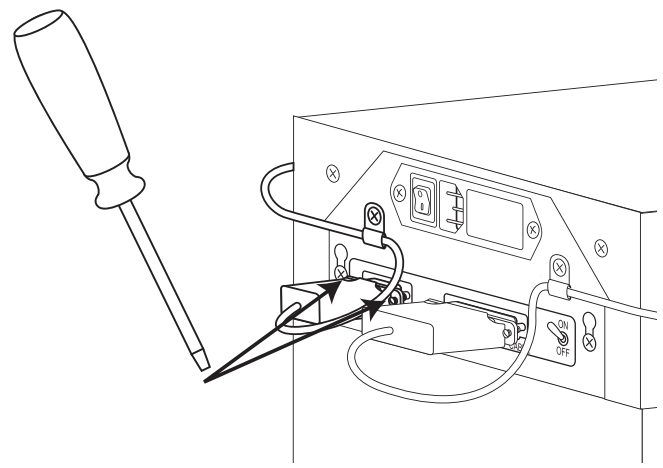
NOTE: THE FB 80 OPERATIONS MANUAL INCLUDED WITH THIS UPGRADE PROVIDES EXTENSIVE UPDATES TO THE DAILY OPERATING PROCEDURES THAT WILL APPLY TO PREVIOUS FLAVOR BURST® SYSTEMS. KEEP IN MIND THAT TECHNICAL REFERENCES TO SOME COMPONENTS SUCH AS TRAY LATCHES OR PUMPING SYSTEMS WILL VARY IF YOU HAVE NOT UPGRADED TO THE FULL FB 80 SYSTEM. BE SURE TO KEEP YOUR ORIGINAL OPERATIONS MANUAL FOR TECHNICAL DETAILS OF COMPONENTS NOT INCLUDED WITH THIS UPDATE.



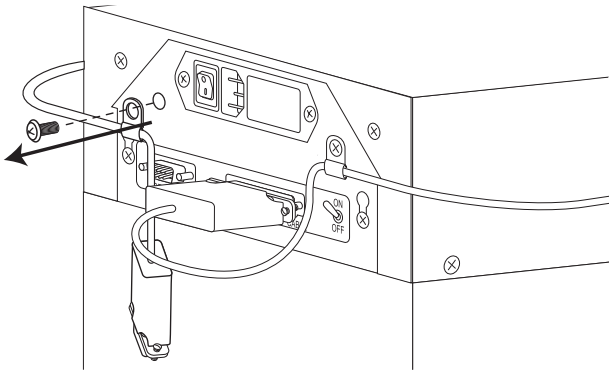
1 Turn the power off and disconnect the power cable from the board located at the upper back of the cabinet.



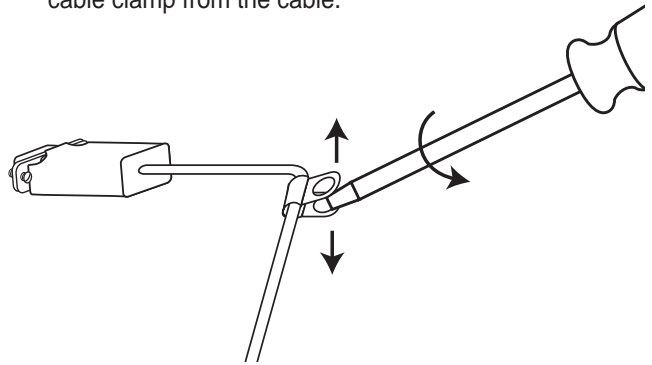
2 Loosen the 2 strain relief screws on the Rotor Motor cable connection and disconnect the Rotor Motor cable connection.



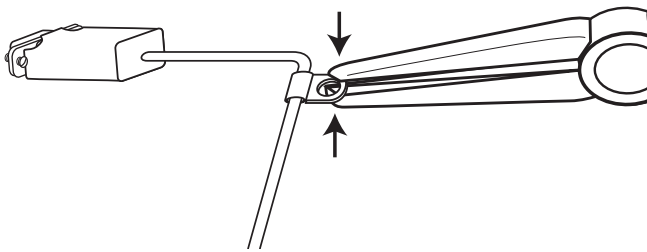
- 3** Remove the cable clamp screw and the cable clamp from the back of the unit.



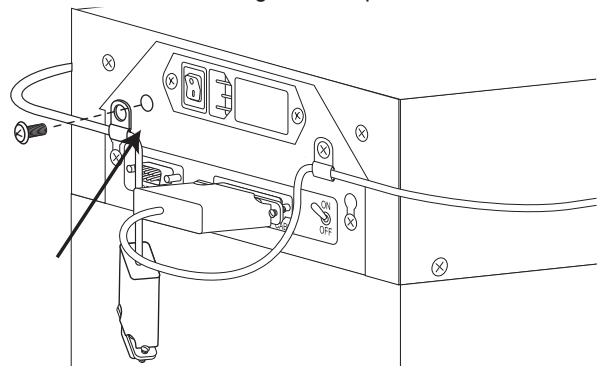
- 4** Wedge a screwdriver between the fold of the cable clamp and twist to open up the clamp. Remove the cable clamp from the cable.



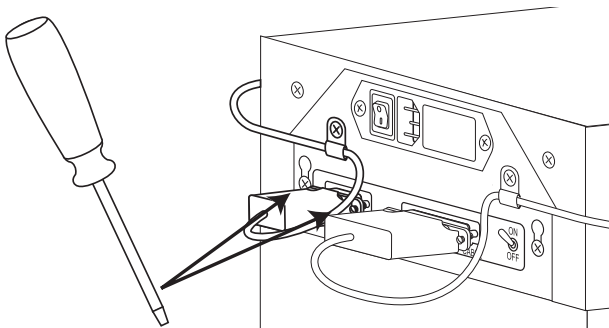
- 5** Place the cable clamp over the Rotor Motor cable of the new Injector Assembly and press the two tabs together.



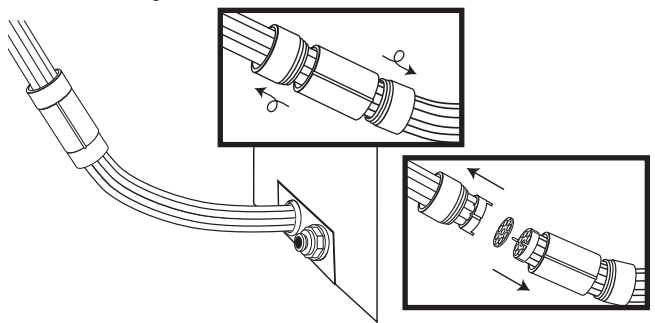
- 6** Attach the cable clamp and the new Rotor Motor cable to the back of the unit using the clamp screw.



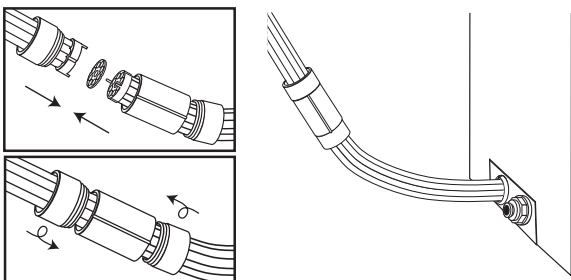
- 7** Connect the new Rotor Cable connection to the port on the back of the unit and secure by tightening the strain-relief screws.



- 8** Unscrew the coupler nuts from the coupler casing and disconnect the old 9-Tube Assembly from the Lead at the lower back of the unit. Be sure to remove the old 9-hole gasket from the Lead.



- 9** Connect the new 9-Tube Assembly to the Lead at the back of the unit according to instructions in the Operations Manual. Ensure the new 9-hole gasket is in place. (See EQUIPMENT SETUP "Syrup Line Unit Connection.")



- 10** Attach the Keypad brackets to the back of the Keypad using the screws provided.

