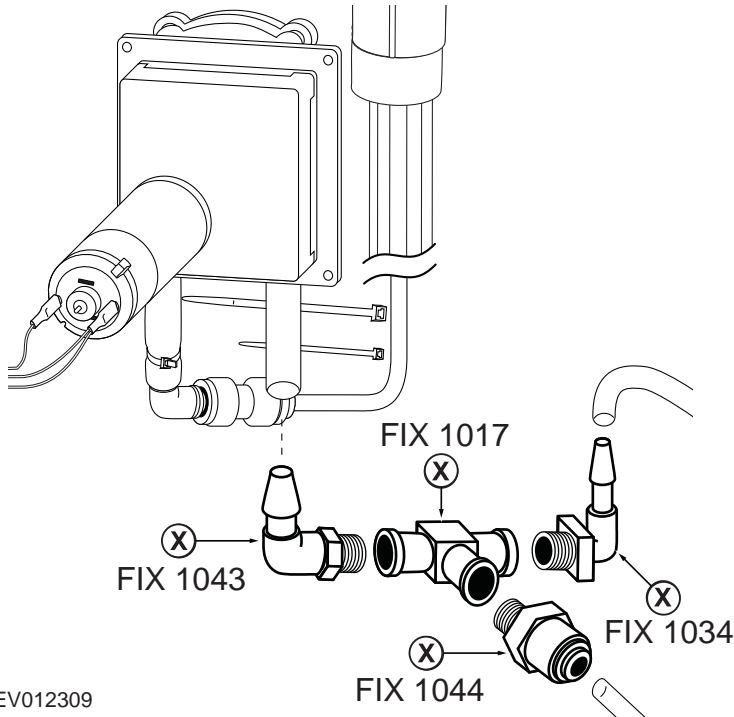


Flavor Burst™

FIX 1053 & FIX 1042 Sanitizer Pump Fitments

Replace the following sanitizer pump fitments according to the chart and diagram below. For more information, contact your local distributor.



NEW	OLD
FIX 1053	FIX 1017
FIX 1042	FIX 1043
FIX 1042	FIX 1034
(none)	FIX 1044

A diagram showing the new sanitizer pump fitment assembly. It features a central 'FIX 1053' fitting connected to two 'FIX 1042' elbow fittings. A dashed line from the top of the table points to the top of the assembly. A screwdriver is shown at the bottom right, positioned to remove the nut from the 'FIX 1053' fitting.