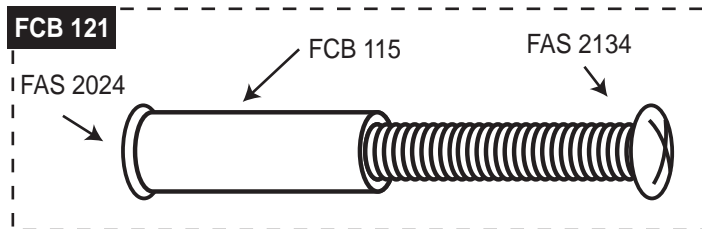


# Flavor Burst®

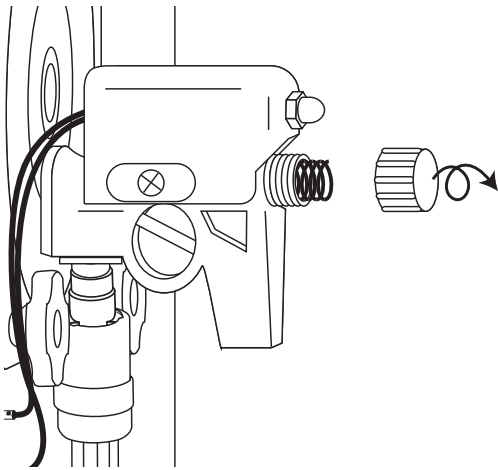
## FCB 121 FCB Flow Rate Controller

### Installation

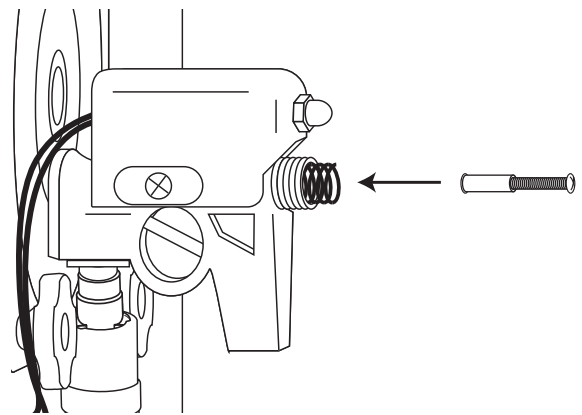
The Flow Rate Controller allows the operator to control the flow rate of the frozen carbinated beverage product that is dispensed. Follow these instructions to install this devise inside the FCB door spout and make the necessary adjustments to the flow rate. Contact your distributor for more information.



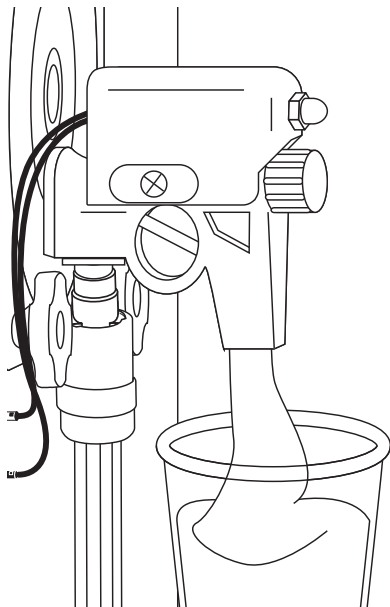
- 1** Remove the cap from the door spout.



- 2** Insert the Flow Rate Controller inside the spring. Ensure the encased end of the assembly is toward the back of the spout.



- 3** Install the door spout cap and draw a serving to determine if the flow rate is satisfactory.



- 4** Adjust the Flow Rate Controller as needed. Adjust the screw further into the casing (shorten the assembly) to increase the flow rate. Adjust the screw out from the casing (lengthen the assembly) to decrease the flow rate.

