

Flavor Burst[®]

FAC 23K

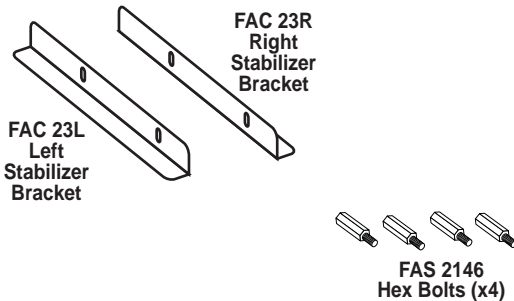
Color Touch Panel Wall Mount Kit

Installation

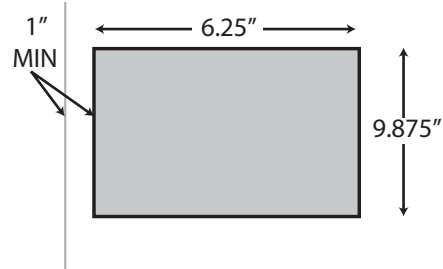
Use the FAC 23K mounting kit to mount the Color Touch Panel into a thin panel or wall. Special tools may be required to cut into the panel or wall itself. Please contact your local distributor for more information.

NOTE: THE COLOR TOUCH PANEL IS ABLE TO BE MOUNTED IN A WALL THAT IS 0.08" - 0.018" THICK.

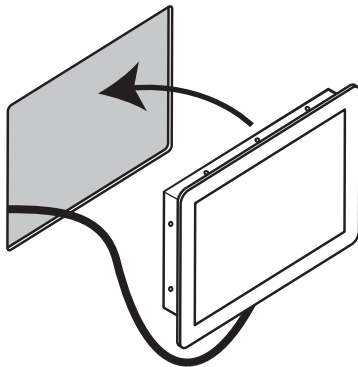
FAC 23K



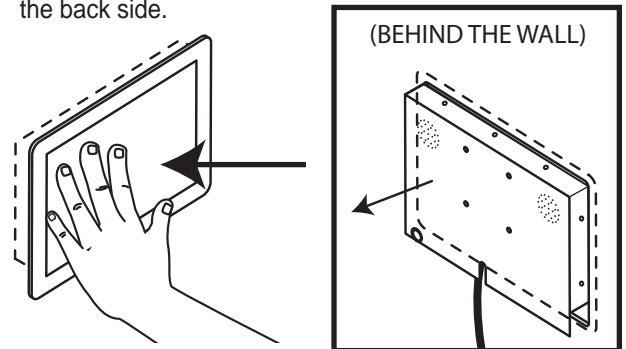
- 1 Determine where the Color Touch Panel will be mounted. Ensure the wall will support the screen and is between 0.08" and 0.18" thick. Mark and then cut an opening in the wall that is 6.25" wide by 9.875" high. The opening should be at least 1" away from any bend in the wall or any object.



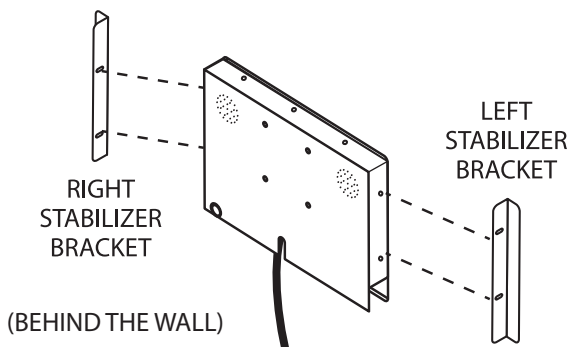
- 2 Place the Panel and any cords attached to it through the opening.



- 3 From this point forward, apply gentle pressure to the front of the Panel. If needed, use a partner to keep the screen in place while the brackets are being attached to the back side.



- 4 From behind the wall, place the right and left stabilizer brackets to each side of the Touch Panel as shown. Align all the slots of the brackets with the screw holes of the Touch Panel.



- 5 Install two hex bolts to each side of the Touch Panel to secure the stabilizer brackets. Gently press each bracket against the facade surface as you tighten the bolts. There should be no space between the front of the Touch Panel and the wall, or between the wall and the brackets. Connect and install the CTP system as instructed in the Operations Manual.

