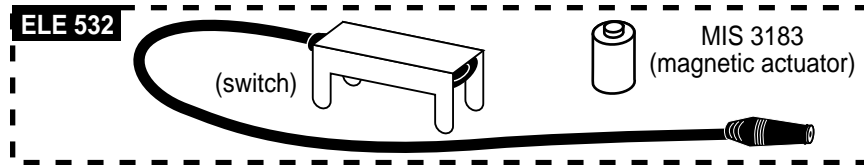


Flavor Burst™

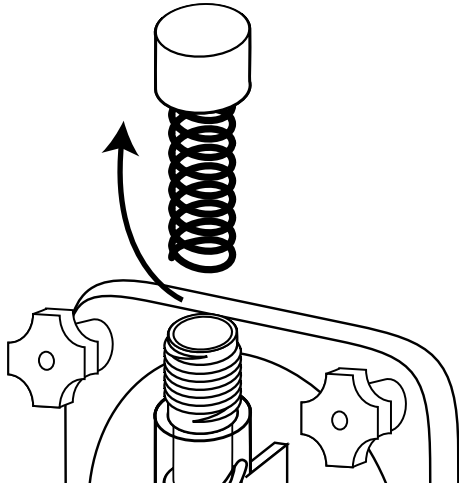
ELE 532 Switch Kit for No-Pressure FCB Freezer Models

Installation

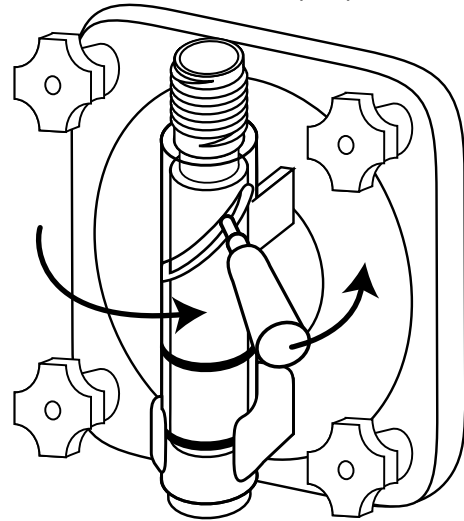
This switch is designed for use with Taylor® FCB freezer models 345 NPR, 346 NPR, 355 NPR, and 349 NPR. Used in conjunction with the magnetic pin, it activates the Flavor Burst® system when the pull handle is in open position to draw a serving. For more information, please contact your local Flavor Burst® distributor.



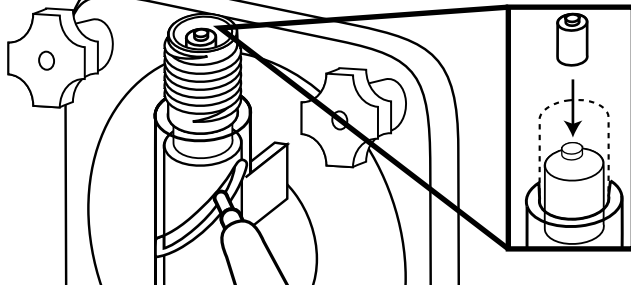
- 1** Remove the spout cap and the spring from the freezer door.



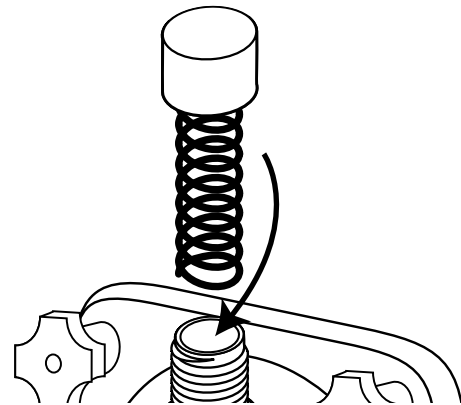
- 2** Pull the draw handle into the open position.



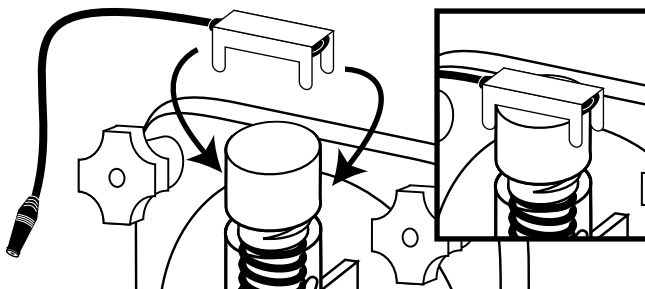
- 3** Place the magnetic actuator over the metal pin inside the door spout tube.



- 4** Return the draw handle to the closed position and reinstall the spring and cap.



- 5** Place the switch assembly over the cap so that it is centered over the hole.



- 6** Connect the switch to the Keypad to complete the installation.

