

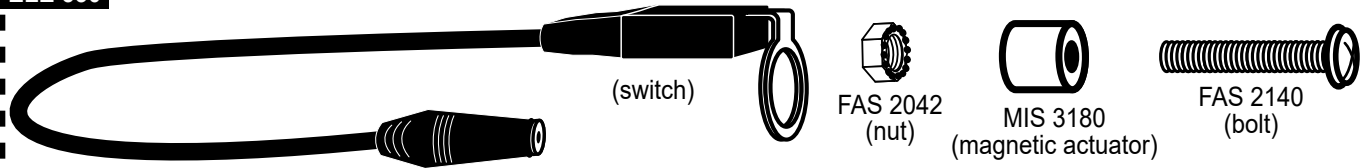
# Flavor Burst™

## ELE 530 Switch Kit for FCB Freezer Models

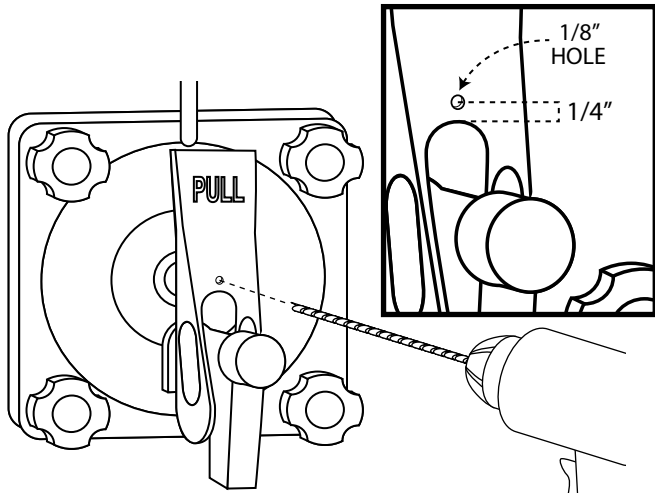
### Installation

This switch is designed for use with Taylor® FCB freezer models 345, 346, 349, 355, 356, C300, and C302. Used in conjunction with the magnetic pin, it activates the Flavor Burst® system when the pull handle is in open position to draw a serving. For more information, please contact your local Flavor Burst® distributor.

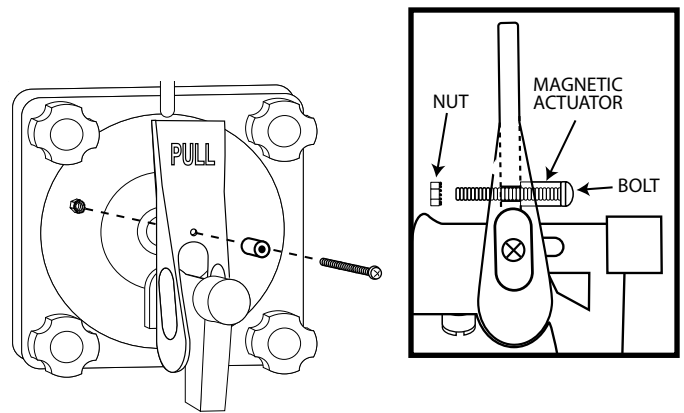
#### ELE 530



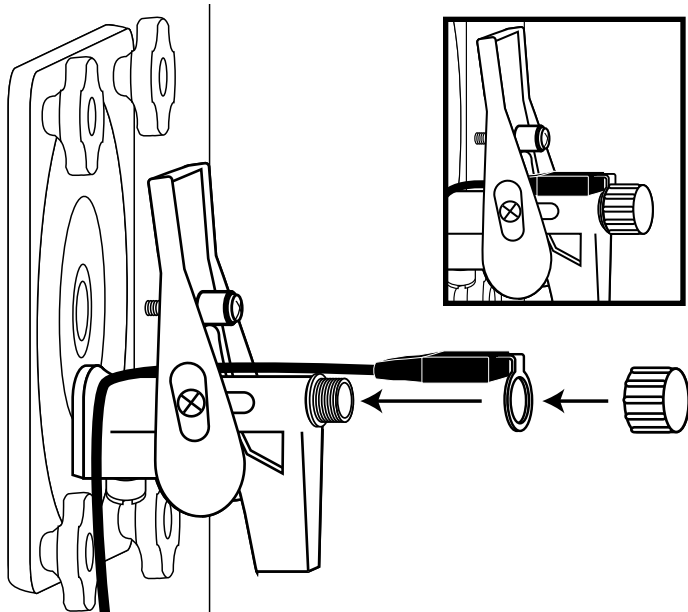
- 1 Drill a 1/8" hole through the pull handle. The center of the hole should be 1/4" above the handle arch and centered.



- 2 Attach the magnetic actuator to the front of hole using the bolt provided. Secure the assembly at the back with the nut as shown.



- 3 Remove the spout cap and install the switch over the threads. Replace the cap and tighten to secure.



- 4 Connect the keypad to the switch. The magnetic pin activates the switch when the handle is pulled forward and the pin is brought close to the switch.

