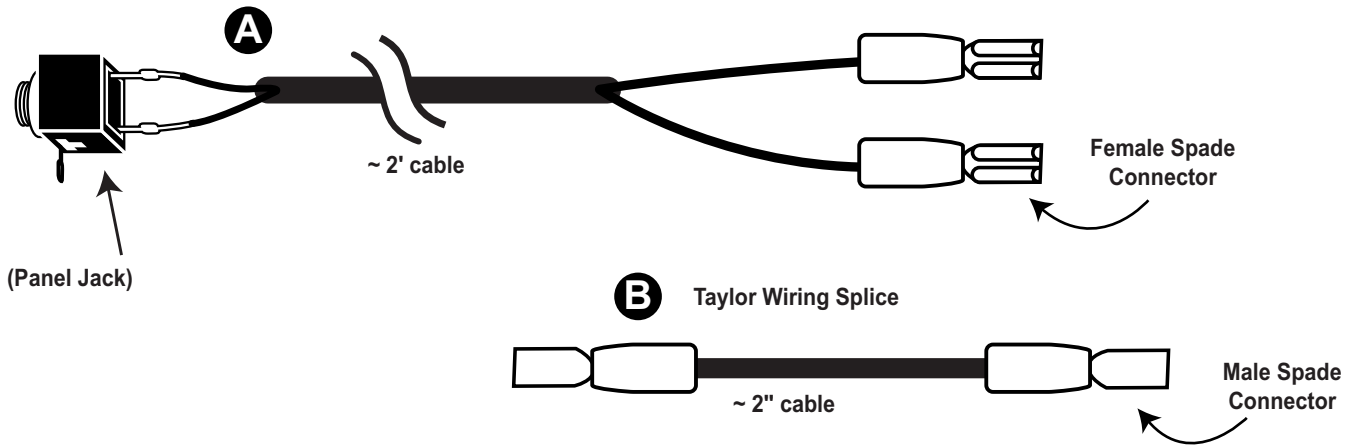


Flavor Burst™

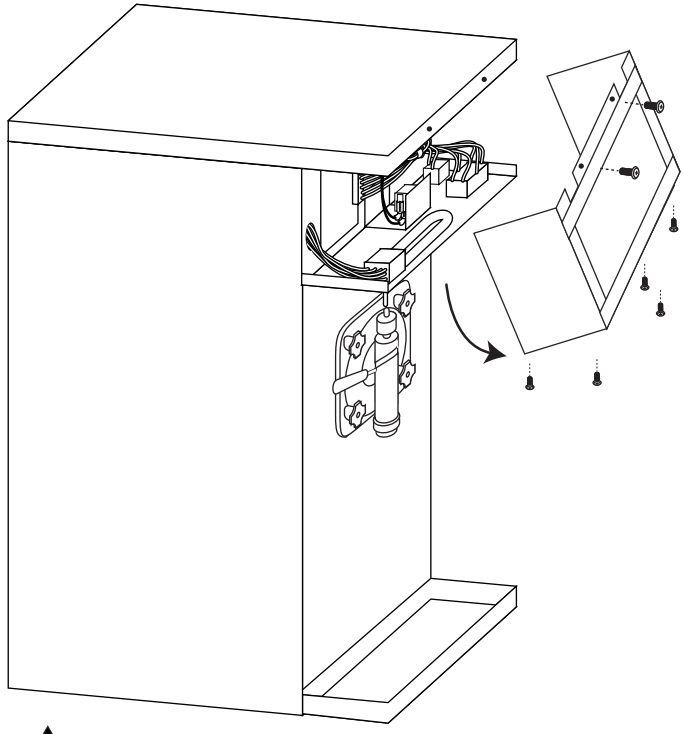
ELE 518 Internal Switch Line Patch Assembly Setup and Installation

The ELE 518 is designed for use with the Taylor® 428 model in applications that require constant beater motion throughout the freezer cycle and uses the existing internal Taylor® switch to activate the Flavor Burst™ unit. A recommended location for installing the stereo panel jack is noted below, although other locations may be acceptable according to your application -- be sure to consider the desired keypad location, additional freezer-mounted POP, and kiosk applications as you prepare for installation.

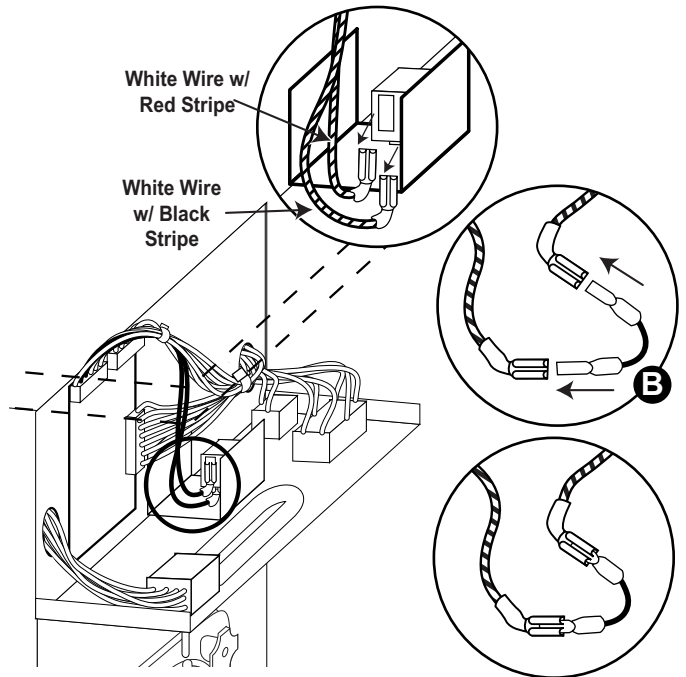


! WARNING: DO NOT ATTEMPT INSTALLATION UNTIL THE MAIN POWER SUPPLY TO THE FREEZER HAS BEEN DISCONNECTED.

1 Unscrew and remove the front panel from the Taylor® 428 freezer.



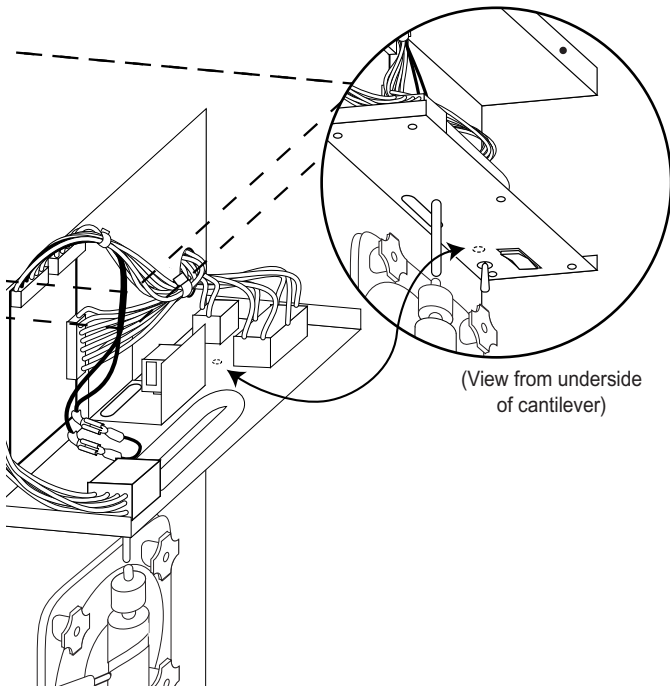
2 Detach the existing internal wiring from the internal Taylor® switch. Attach the Taylor® Wiring Splice **B** to the internal wire's female connector spades.



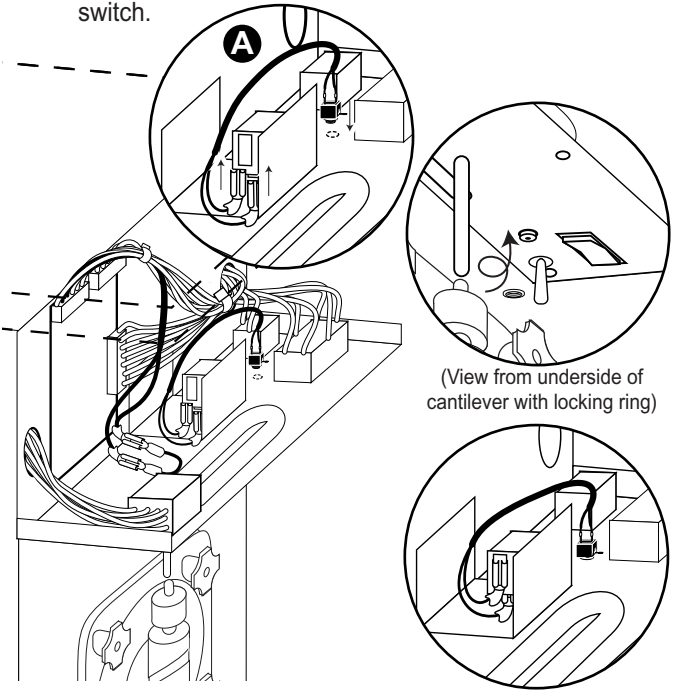
! DISCLAIMER: UL DOES NOT RECOGNIZE THIS APPLICATION AS AN APPROVED PROCEDURE DUE TO THE DRILLING REQUIRED. WHEN THIS PROCEDURE IS USED ON A UL LISTED FREEZER, THE INSTALLER WILL BE PERFORMING INSTALLATION PROCEDURES BEYOND THE PARAMETERS UNDER WHICH THE UNIT WAS APPROVED.

! **WARNING:** DO NOT ATTEMPT INSTALLATION UNTIL THE MAIN POWER SUPPLY TO THE FREEZER HAS BEEN DISCONNECTED.

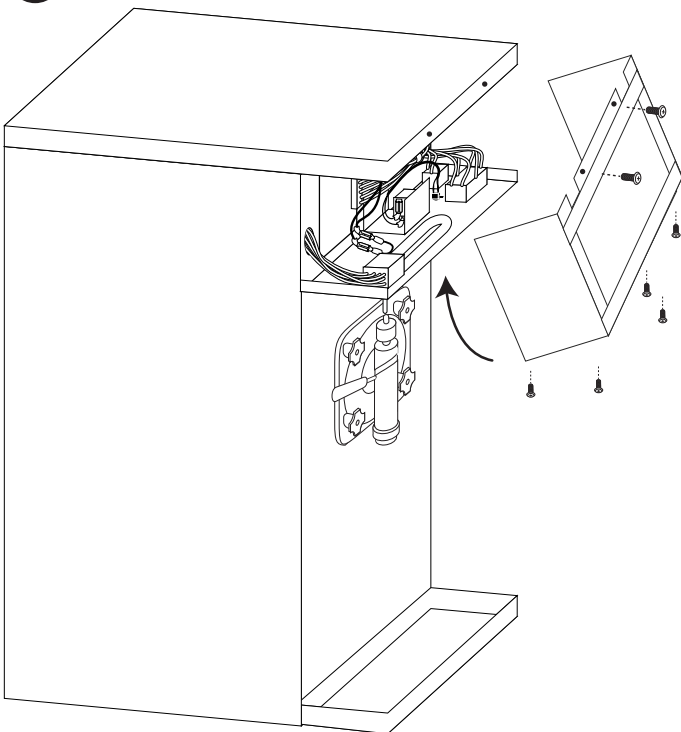
3 Drill a 1/4" hole for the panel jack through the floor of the cantilever near the power switch and the light switch.



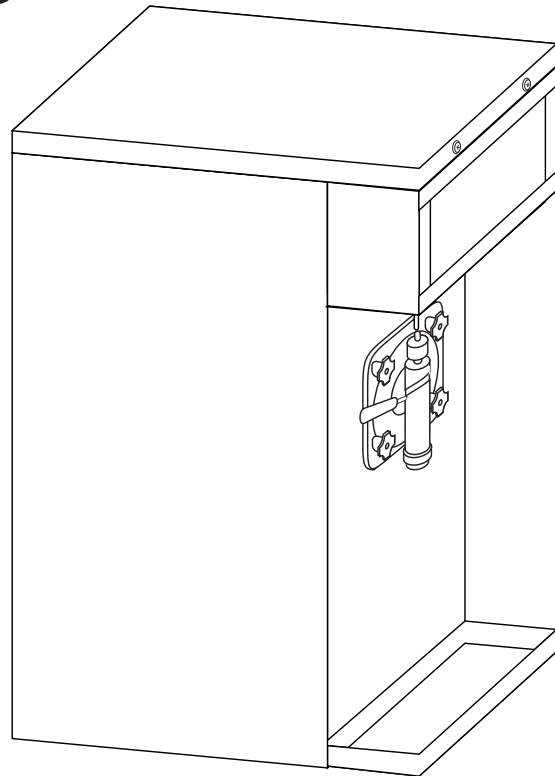
4 Insert the panel jack through the hole & secure the jack with the locking ring provided. Attach the female spade connectors of the ELE 518 **A** to the internal Taylor® switch.



5 Replace the front panel.



6 Assembly complete.



! **DISCLAIMER:** UL DOES NOT RECOGNIZE THIS APPLICATION AS AN APPROVED PROCEDURE DUE TO THE DRILLING REQUIRED. WHEN THIS PROCEDURE IS USED ON A UL LISTED FREEZER, THE INSTALLER WILL BE PERFORMING INSTALLATION PROCEDURES BEYOND THE PARAMETERS UNDER WHICH THE UNIT WAS APPROVED.