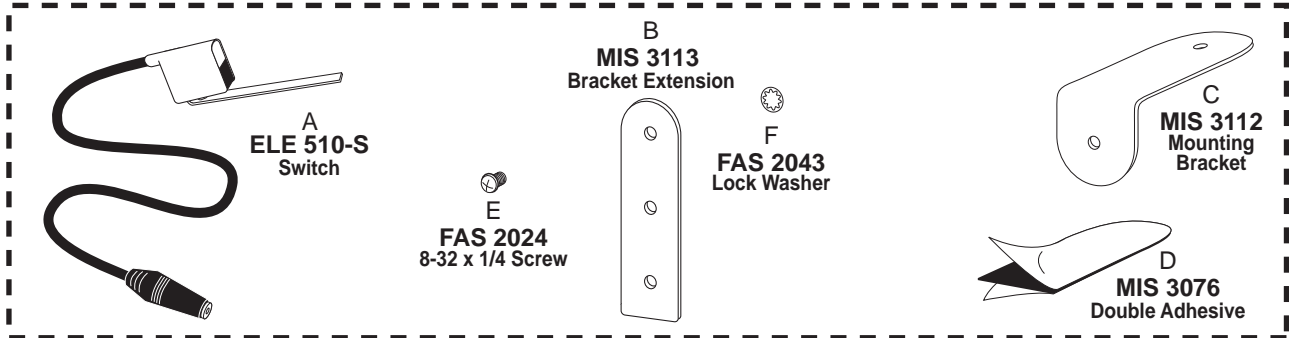


Flavor Burst™

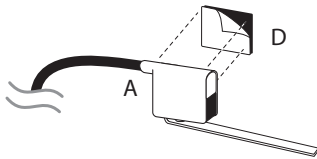
ELE 510 Switch Kit - Various Assembly Configurations

Flavor Burst highly recommends the use of integrated switches with your system. However, because the different integrated switches are specific to freezer model and also type of frozen beverage product being used, external universal switch ELE 510 is provided for your initial setup and as a back-up should you need it. When possible, inquire about exchanging your ELE 510 switch with an integrated switch suitable for your operation.

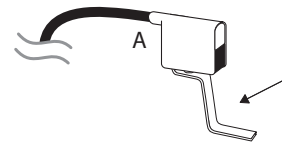
Several mounting solutions are possible using some or all of the switch mounting accessories as shown below. The switch should be mounted so that the lever is just above the draw pin on the spout, so that when the draw handle is in the open position, the switch lever is depressed.



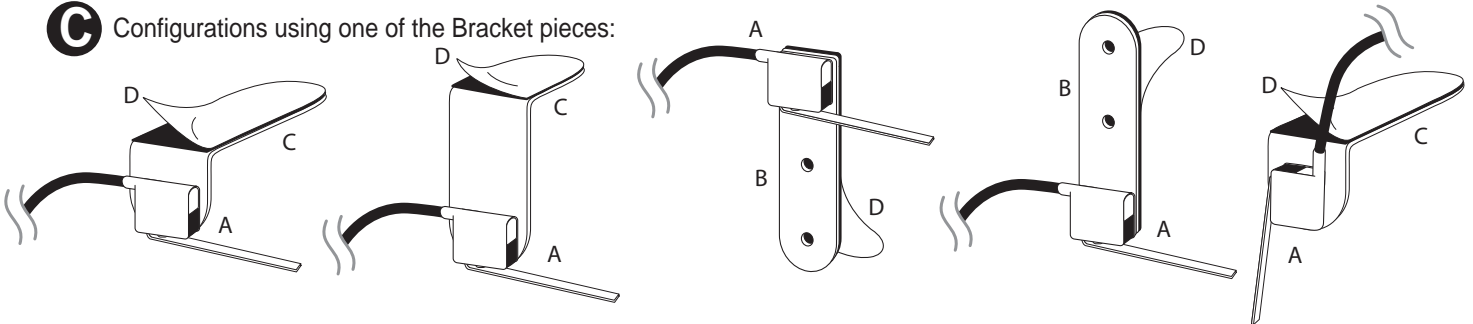
A When possible, mount the ELE 510-S switch directly to the freezer without the bracket pieces. Bracket is provided if direct mounting is not possible.



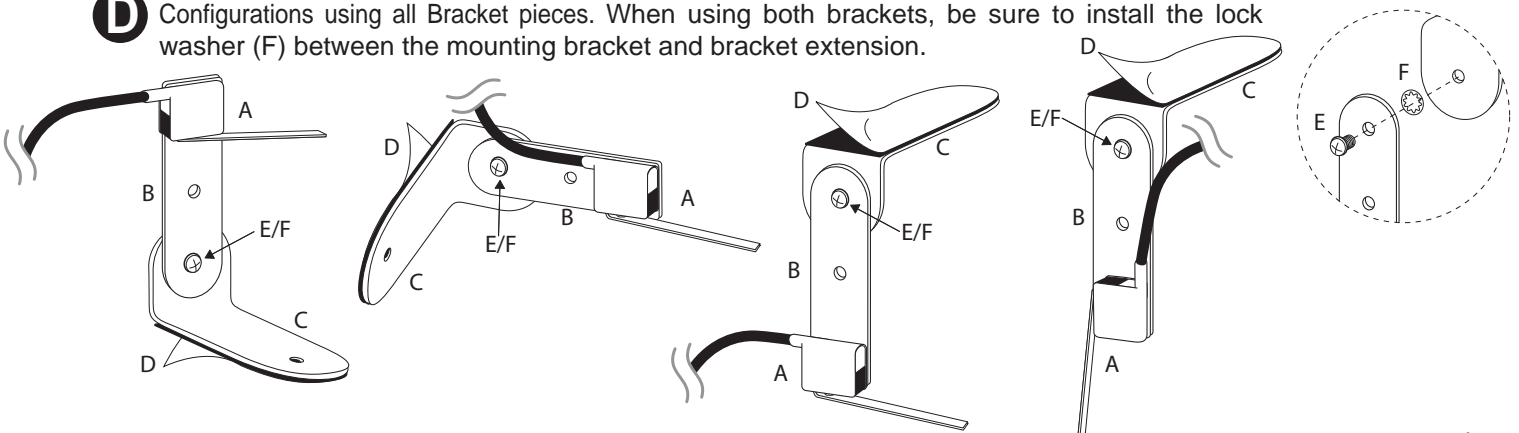
B The switch lever can also be carefully bent so that it extends down toward the draw pin on the freezer.



C Configurations using one of the Bracket pieces:



D Configurations using all Bracket pieces. When using both brackets, be sure to install the lock washer (F) between the mounting bracket and bracket extension.



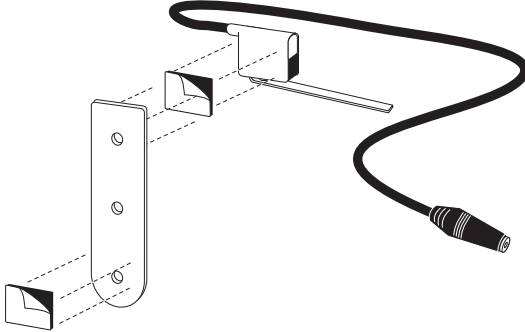
E

The ELE 510 assembly can be installed internal as an integrated switch on Taylor models 428 and 432 using the instructions below.

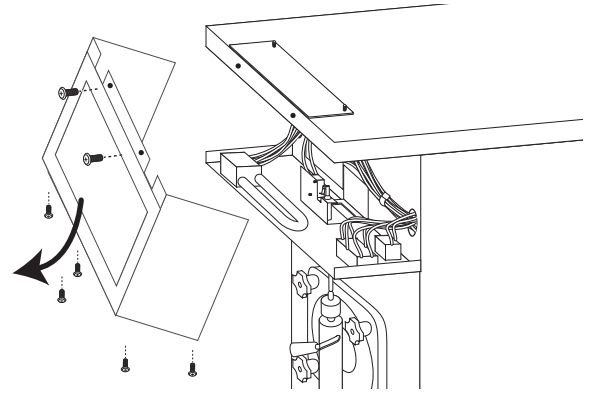


NOTE: TURN OFF FREEZER AND UNIT BEFORE OPENING THE PANEL BOX AND INSTALLING THE SWITCH.

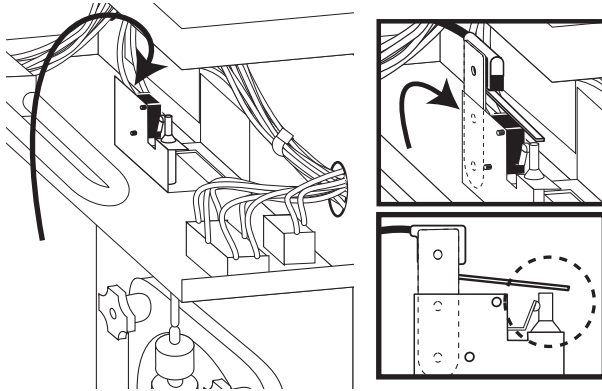
- 1** Attach one small square pieces of adhesive to front bottom of the flat bracket piece that comes with the ELE 510 switch. Attach another piece of adhesive to the upper end of the bracket on the other side. Then, attach the switch behind that upper adhesive piece as shown, with the switch lever pointing to the right.



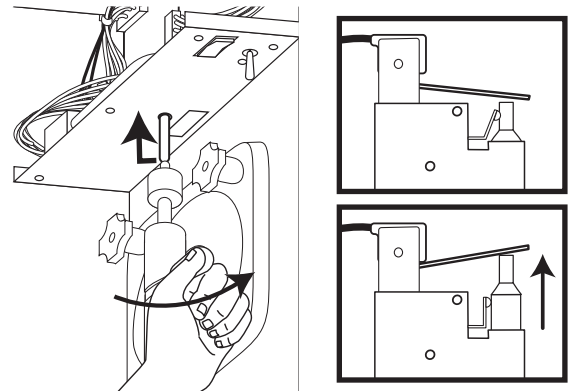
- 2** Unscrew and remove the front panel from the Taylor 428 or 432 freezer.



- 3** Attach the switch assembly just left of the Taylor internal switch, to the inside of the cover plate. The ELE 510 switch lever should be just above the internal draw pin as shown.

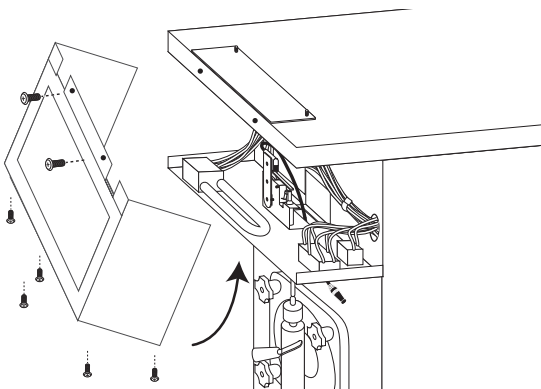


- 4** Slide the switch cable jack through the center slot at the back of the panel.



NOTE: THE SWITCH LEVER MUST BE FULLY DEPRESSED WHEN THE DRAW HANDLE IS IN THE OPEN POSITION.

- 5** Replace the front panel to complete the installation.



- 6** Replace the service side panel on the freezer to complete the assembly. Repeat instructions if installing another switch above the other freezer barrel on a Taylor 432.

