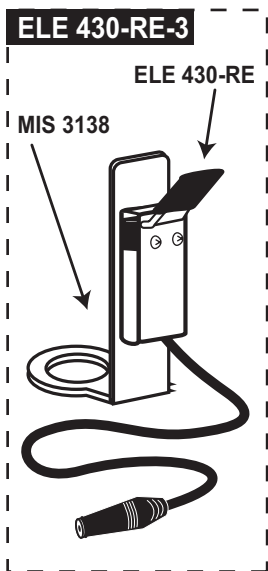
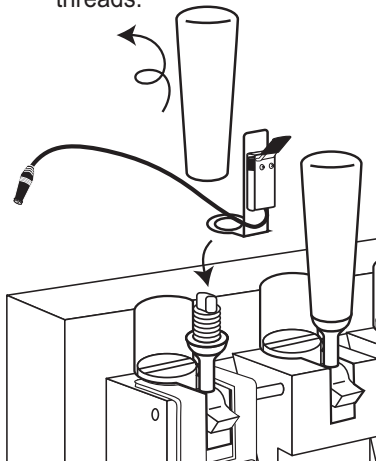


Flavor Burst™

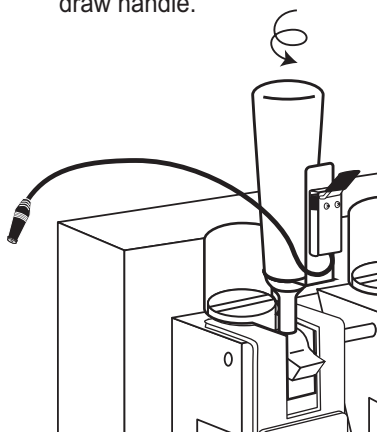
ELE 430-RE-3 Coldelite Spigot Switch Assembly Installation



- 1** Remove the freezer handle and install the Switch Assembly over the exposed threads.



- 2** Replace the freezer handle and ensure that the Switch Assembly is the desired position as you secure the draw handle.



- 3** Be sure to fully engage the Spigot Switch jack to the Flavor Burst™ keypad jack for normal operation. Do not neglect to check this connection during daily startup.

