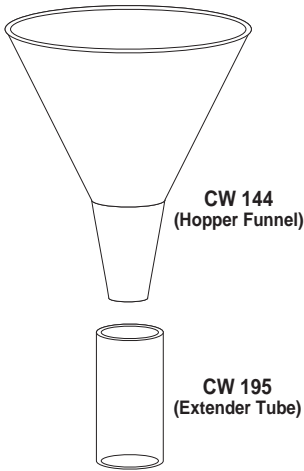


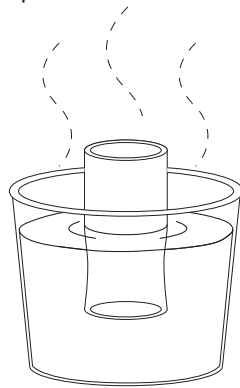
# Flavor Burst™

CW 195 Extender Tube

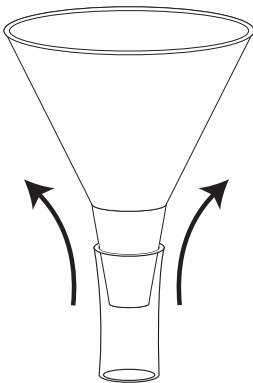
The CW 195 Extender Tube allows a more direct transfer of ingredients from the Carousel containers to the Hopper Tube Assembly. Attach the Extender Tube to the Hopper Funnel as follows. Contact your local distributor for more information.



- 1** Hold the end of the clear tube in hot water till it becomes soft and pliable.



- 2** Press the heated clear tube onto the funnel spout as far as possible.



- 3** Run cold water over the area where the tube is attached to the funnel to set the connection.

