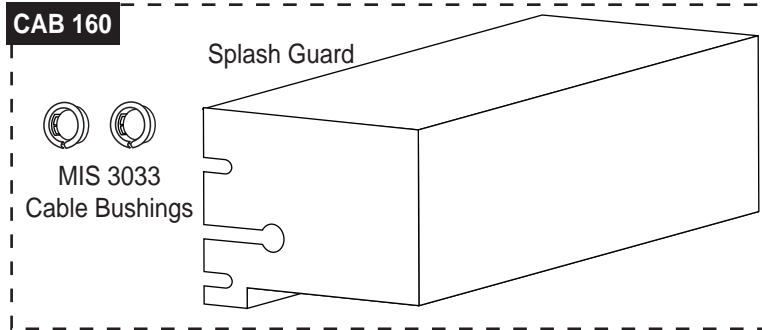


Flavor Burst®

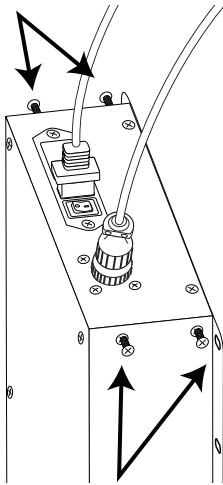
CAB 160 Splash Guard

Installation

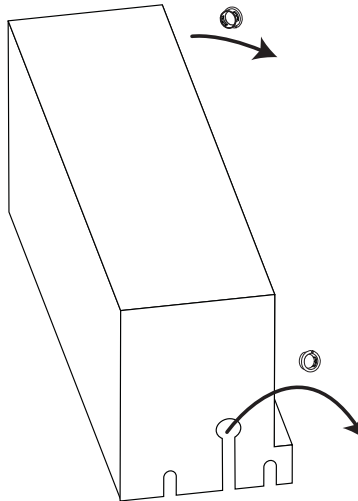
The Splash Guard is designed to help protect the electronic cable connections of the Electronics Board. Contact your distributor for more information.



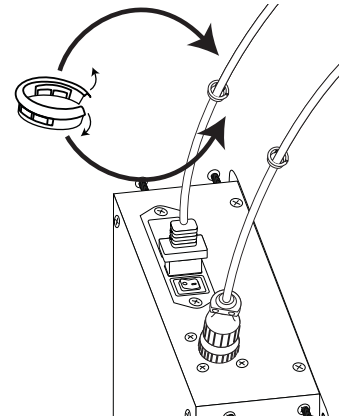
- 1** Loosen the four side screws at the end with the electronic cable connections.



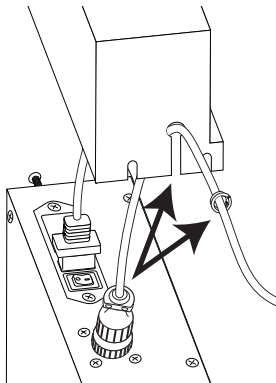
- 2** Remove the cable bushings from the splash guard slots.



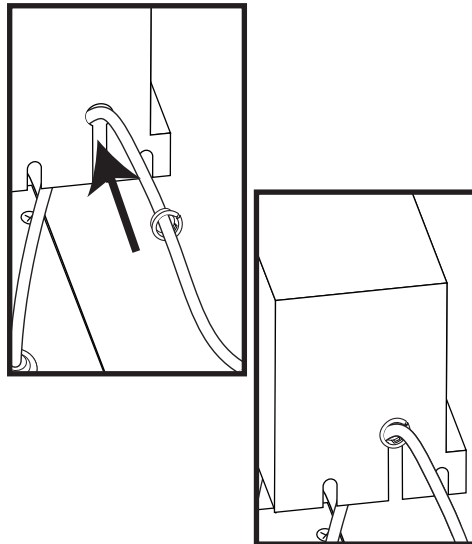
- 3** Pull apart each bushing and clip them around the power cord and the electronics box cord, with the lip of the bushing facing away from the electronics box connections.



- 4** Slide each cable through the slotted holes of the splash guard, with the bushings to the outside. The cables should run from the electronics box, to the inside of the splash guard, and through the slotted holes to the outside of the splash guard.



- 5** Snap each bushing into the slotted holes on the sides of the splash guard, with the lip on the outside.



- 6** Slide the splash guard over the end of the electronics box and onto the loosened screws. Slide it forward as far as it will go. Tighten the four screws to secure the assembly.

