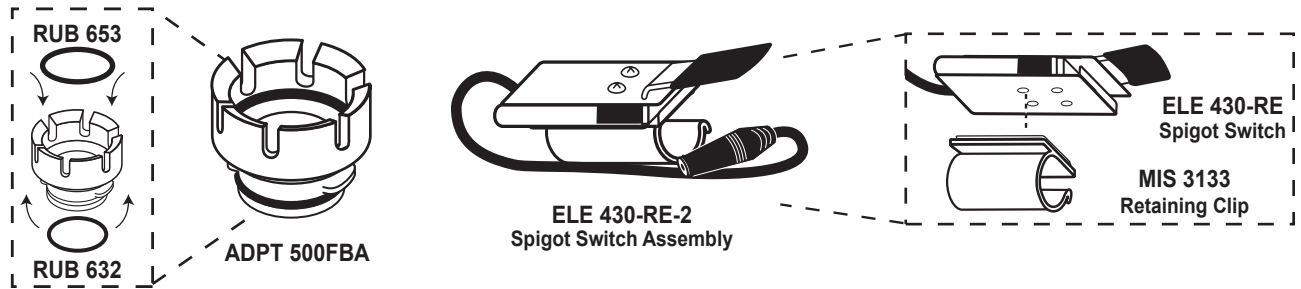


Flavor Burst™

ADPT-STOL 2 Stoelting® Adapter Kit

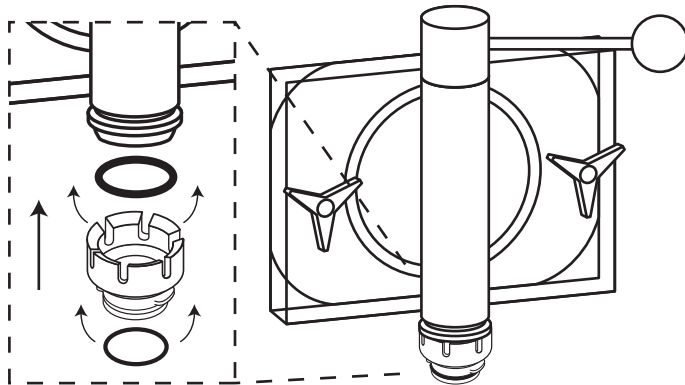
Assembly and Installation

The ADPT-STOL 2 is designed for use with most Stoelting® Freezers. Be sure to contact your local Flavor Burst™ distributor if you have special needs for adapting to your specific Stoelting® model.

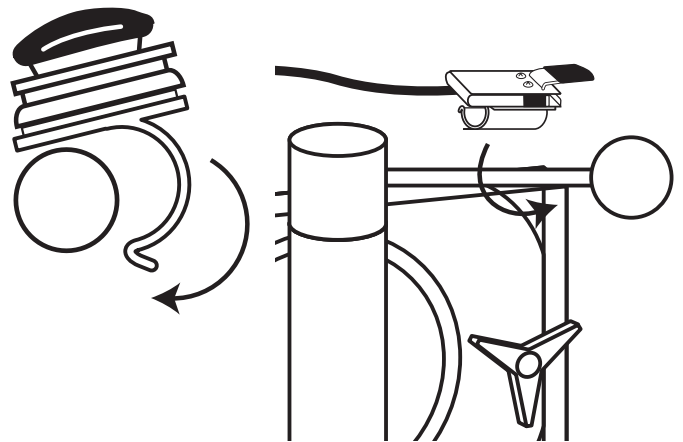


NOTE: THE ELE 430-RE-2 ASSEMBLY FITS FREEZERS WITH A 1/2" ROUND DRAW-HANDLE. FREEZERS WITH A 1/2" FLAT DRAW-HANDLE REQUIRE THE ELE 430-RE-1 SPIGOT SWITCH ASSEMBLY.

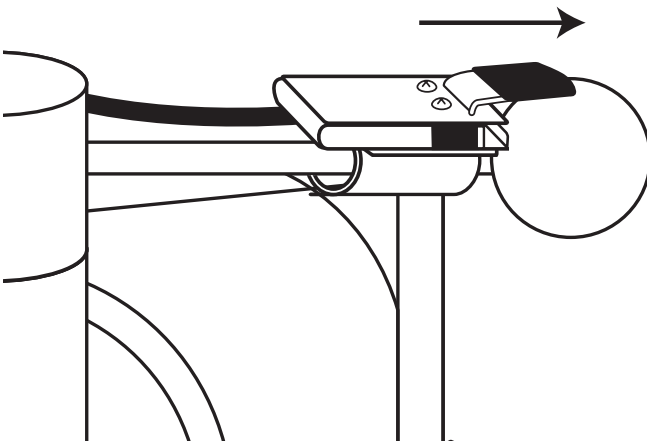
1 Install and lube the RUB 653 o-ring on the freezer door spout. Then, install the RUB 632 o-ring on the Adapter and snap the Adapter onto the freezer spout to complete the Adapter installation.



2 Rotate the Switch Assembly onto the draw-handle bar.



3 Position the Switch up towards the end of the draw-handle bar to complete switch installation.



4 Be sure to fully engage the Spigot Switch jack to the Flavor Burst™ keypad jack for normal operation. Do not neglect to check this connection during daily startup.

