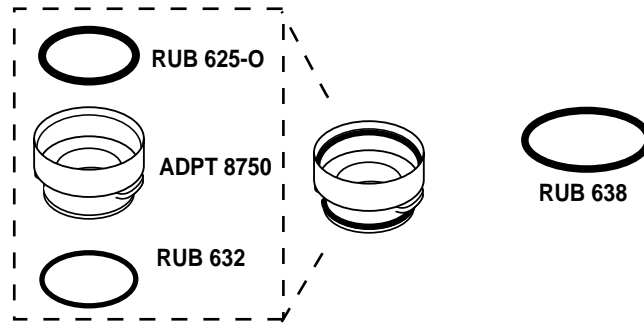


Flavor Burst™

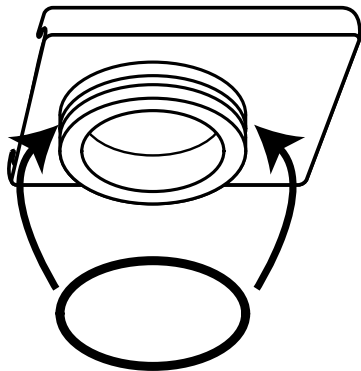
ADPT STL-80B Stoelting® Adapter Kit

Assembly and Installation

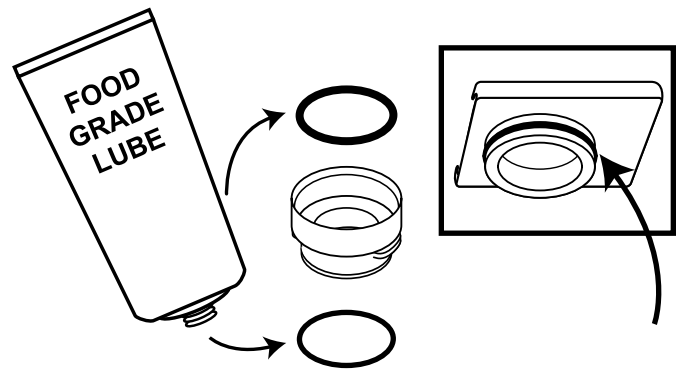
The ADPT STL-80B is designed for use with Stoelting® freezer models that have a detachable rectangular spout. Be sure to contact your local Flavor Burst® distributor if you have special needs for adapting to your specific Stoelting® model.



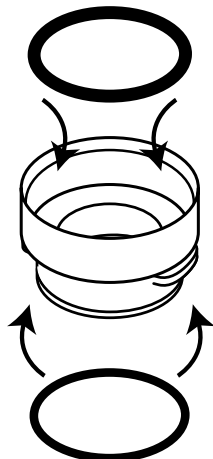
1 Install the RUB 638 o-ring onto the spout.



2 Apply food grade lube to the o-ring on the spout and to the adapter o-rings.



3 Install the RUB 625-O o-ring on the inside at the top of the adapter. Install the RUB 632 o-ring on the outside at the bottom of the adapter.



4 Install the adapter onto the freezer spout to complete the installation.

