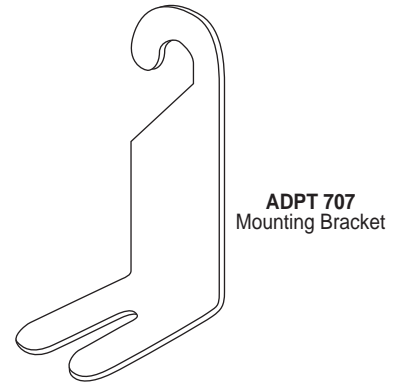
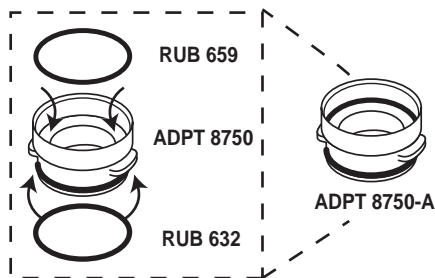


Flavor Burst™

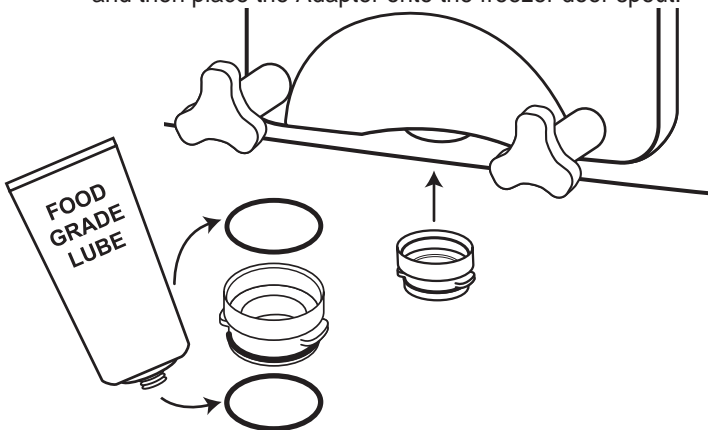
ADPT 700C Crown 700 Single Head Adapter Kit

Assembly and Installation

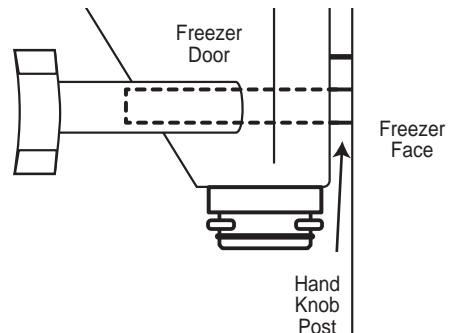
The ADPT 700C is designed for use with Taylor® Crown series freezers to secure the Flavor Burst Injector System to the door spout. Operators should use this kit in conjunction with the internal switch assembly included in the Crown series freezers, or the optional ELE 700C Crown Draw Handle Switch to complete the Flavor Burst equipment installation.



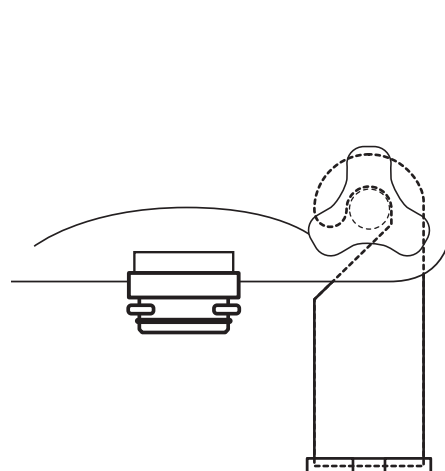
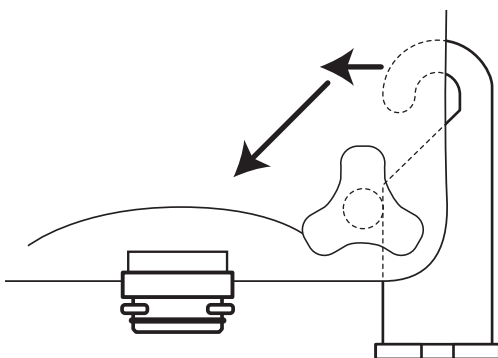
- 1** Lubricate the entire surface of each black o-ring, assemble the ADPT 8750-A Injector Adapter as shown, and then place the Adapter onto the freezer door spout.



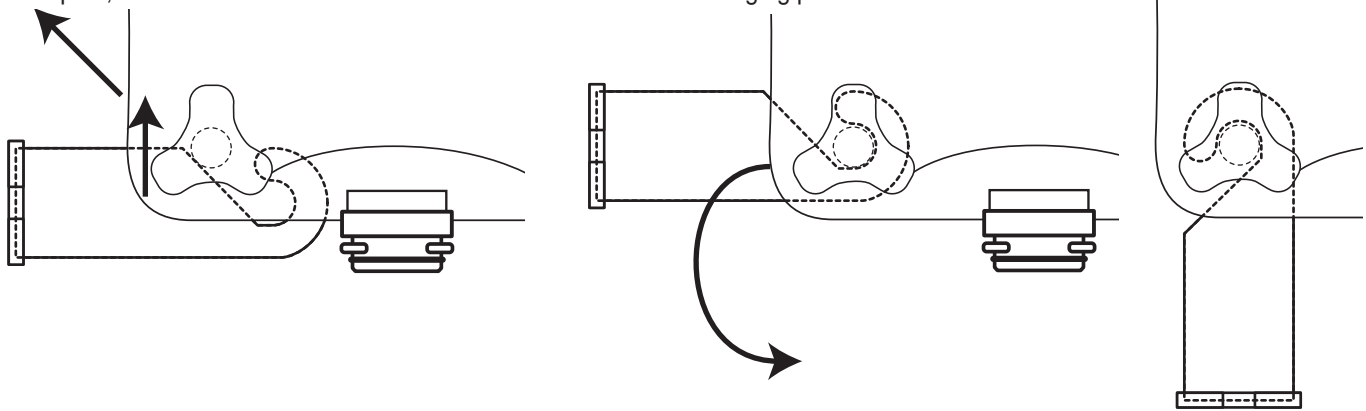
- 2** Determine which side of the freezer is the most convex the Mounting Bracket on the corresponding hand knob post in the gap between the freezer door and the freezer face. Follow either Step 3A or 3B according to the side you wish to mount it on.



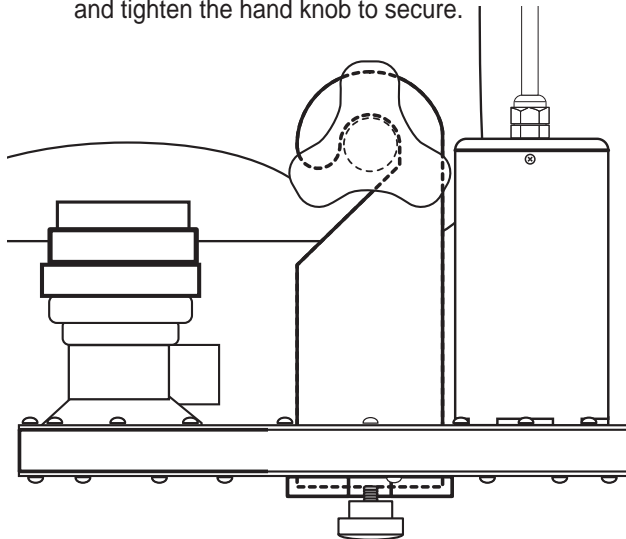
- 3A Right-Side Installation:** Slide the Mounting Bracket through the gap until it touches the post, then slide the Mounting Bracket down and toward the freezer door spout until the hook rests on the post.



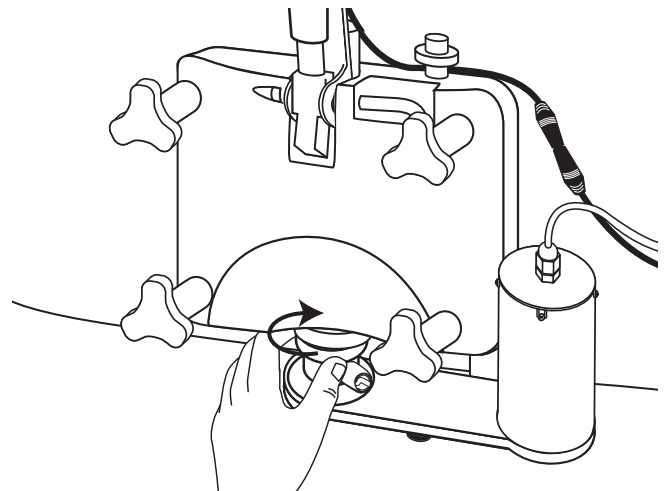
- 3B Left-Side Installation:** Rotate the Mounting Bracket on its side as shown and slide the hooked end through the gap until it touches the post. Slide the Mounting Bracket up and away from the freezer door spout until the hooked end catches the post, and then allow the Bracket to rotate down to its normal hanging position.



- 4** Attach the Injector Assembly to the Injector Adapter, slide the Injector Assembly onto the Mounting Bracket, and tighten the hand knob to secure.



- 5** Rotate the locking collar off-center to secure the Injector Assembly to the Injector Adapter.



- 6** Attach the 9-Tube Assembly to the Injector Head. Rotate the 9-Tube Assembly off-center to lock and complete the installation.

