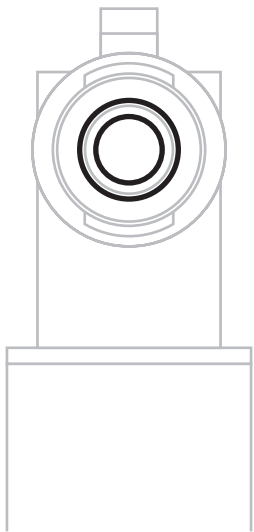
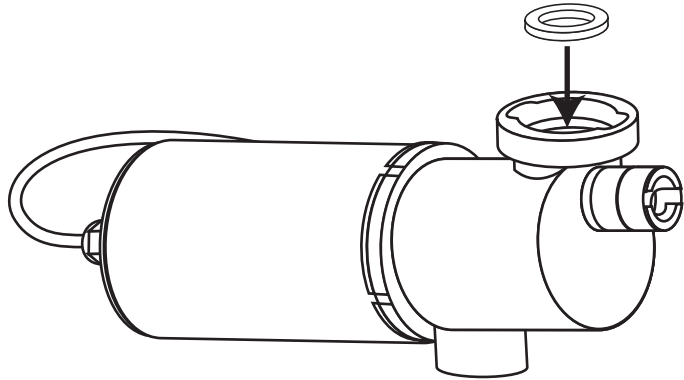


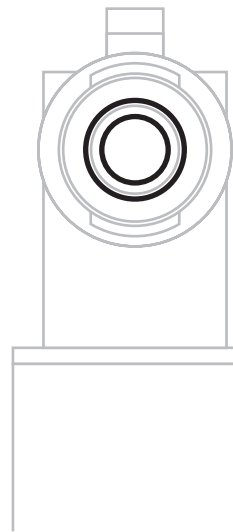
! MIS 3168 BLENDING HEAD RESTRICTOR DISK



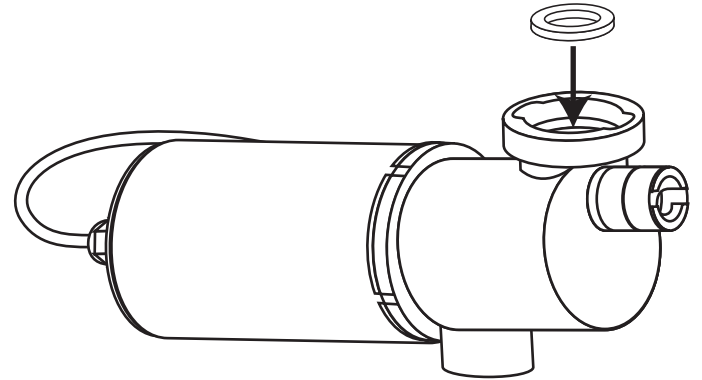
Press the MIS 3168 Restrictor Disk into the groove in the Blending Head inlet. This disk will reduce the flow of product by 1/3.



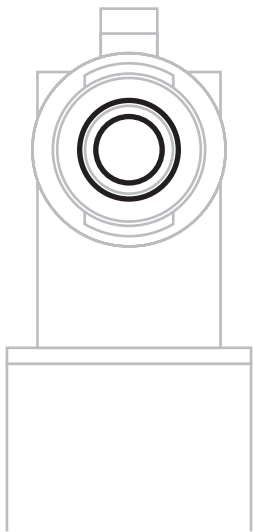
! MIS 3168 BLENDING HEAD RESTRICTOR DISK



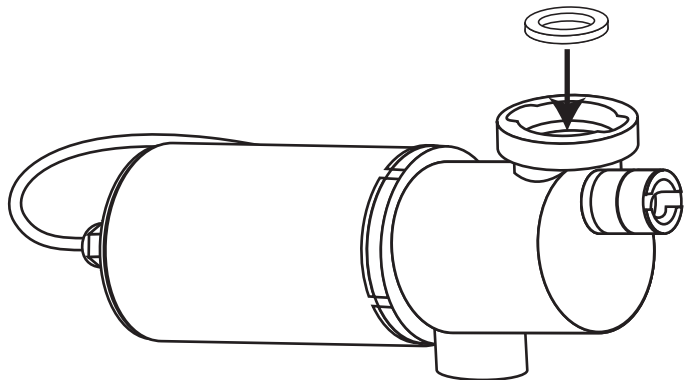
Press the MIS 3168 Restrictor Disk into the groove in the Blending Head inlet. This disk will reduce the flow of product by 1/3.



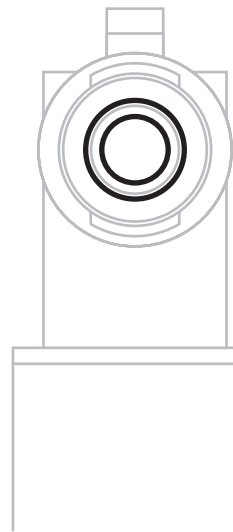
! MIS 3168 BLENDING HEAD RESTRICTOR DISK



Press the MIS 3168 Restrictor Disk into the groove in the Blending Head inlet. This disk will reduce the flow of product by 1/3.



! MIS 3168 BLENDING HEAD RESTRICTOR DISK



Press the MIS 3168 Restrictor Disk into the groove in the Blending Head inlet. This disk will reduce the flow of product by 1/3.

