

Flavor Burst[®]

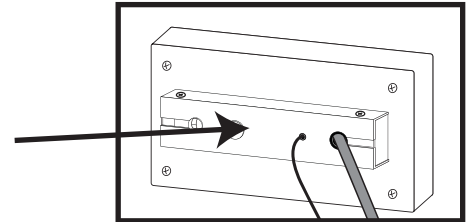
MIS 3206 Touchscreen Side Mounting Bracket

Assembly and Installation

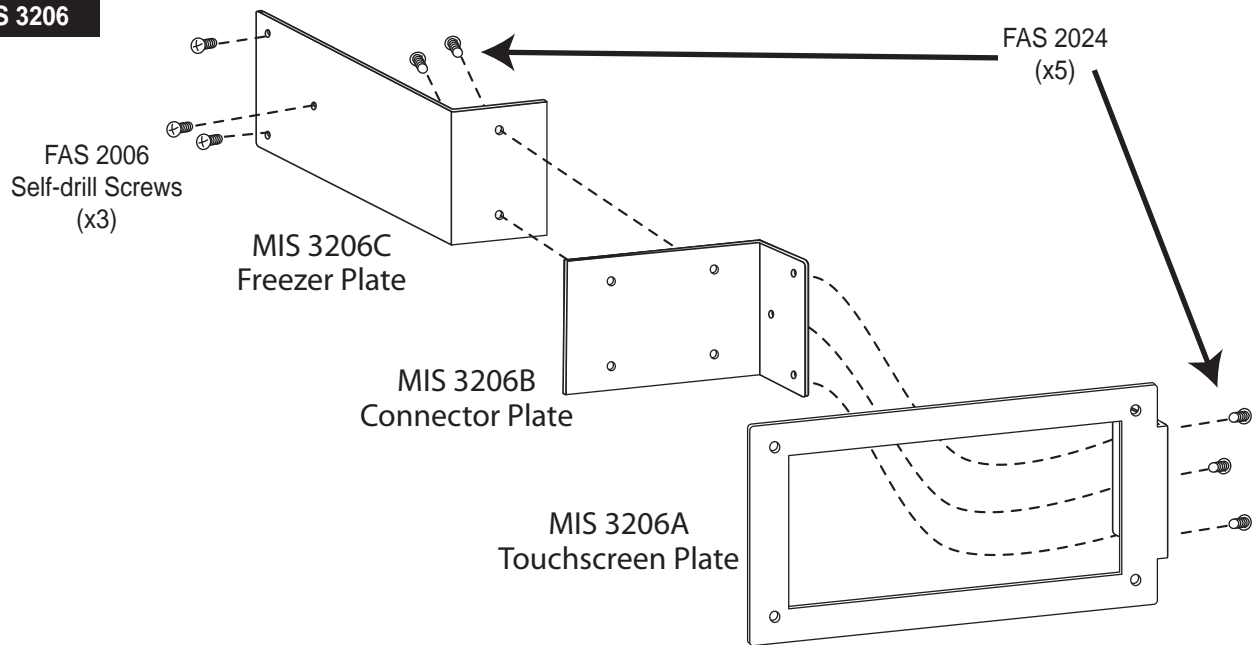
The Touchscreen side mounting bracket is designed to hold the Touchscreen in place on either side of freezer. The bracket pieces can be flipped and turned around for a variety of assembly styles to suit your equipment setup. The assembly is secured to the side service panel using self-drilled screws. For more information, contact your local distributor.



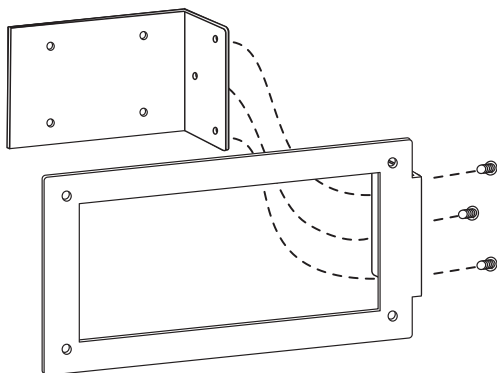
NOTE: THIS MOUNTING BRACKET IS RECOMMENDED FOR USE WITH THE MIS 3203 TOUCHSCREEN HOUSING ASSEMBLY. IF YOUR CURRENT TOUCHSCREEN HOUSING IS INCONVENIENT OR DOES NOT FIT THE BRACKET, CONTACT YOUR LOCAL DISTRIBUTOR FOR INFORMATION ON THE SMALLER MIS 3203 HOUSING.



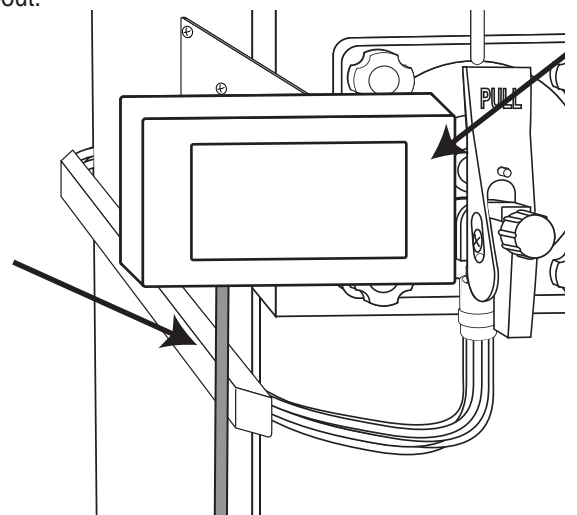
MIS 3206



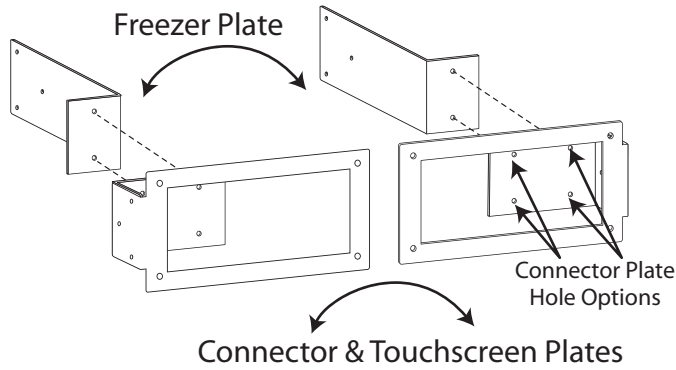
1 Connect the Connector Plate to the inside of the Touchscreen Plate using the three screws provided.



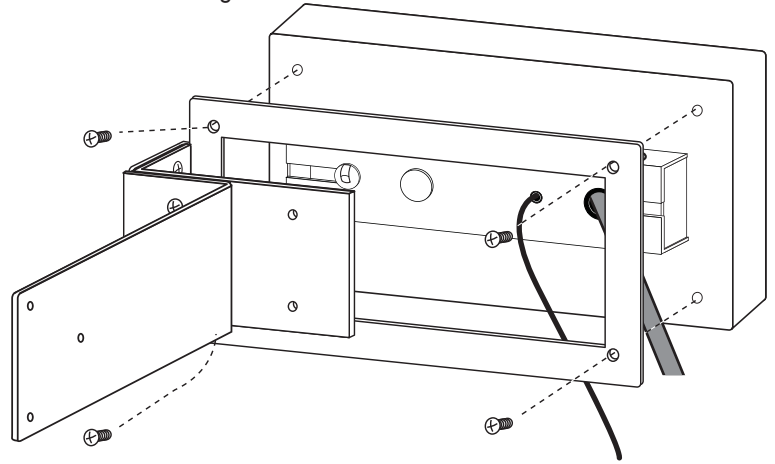
2 Determine the approximate placement for the Touchscreen. It should be near the draw handle, on the same side as a Tube / Cable Casing, and clear of the spout.



3 Arrange the bracket pieces into a configuration that will hold the Touchscreen in the chosen place against the freezer. All three plates can be flipped around depending on which side the Touchscreen is mounted. The connector plate has two sets of screw holes for the freezer plate, to move the Touchscreen closer or further from the freezer center.

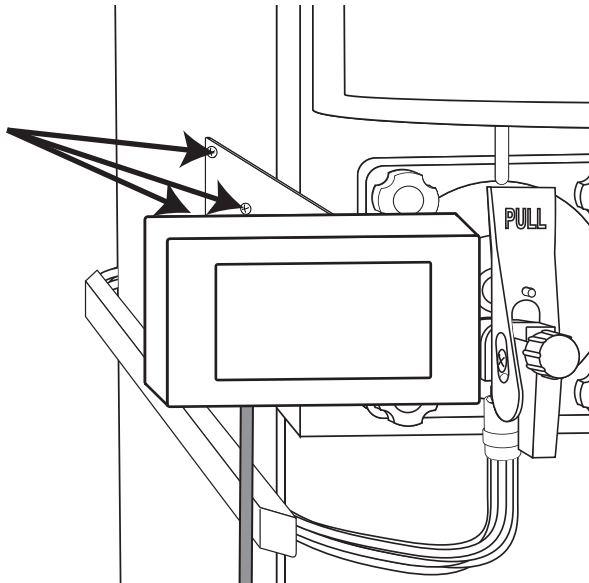


4 Remove the four corner screws on the back of the Touchscreen. Line up the mounting bracket assembly against the four corner holes of the Touchscreen, and secure it using the four screws.



NOTE: IF THE BRACKET DOES NOT FIT WITH THE HOUSING ON THE BACK OF THE TOUCHSCREEN, CONTACT YOUR LOCAL DISTRIBUTOR FOR INFORMATION ON THE MIS 3203 HOUSING ASSEMBLY.

5 Place the mounting bracket and Touchscreen assembly against the freezer into the desired position. Use the four self-drill screws to secure it to the freezer panel.



6 Open the Casing Assembly and place the Touchscreen cable inside. Close and secure the casing. Follow the Operations Manual to connect and power up the Touchscreen to complete the installation.

