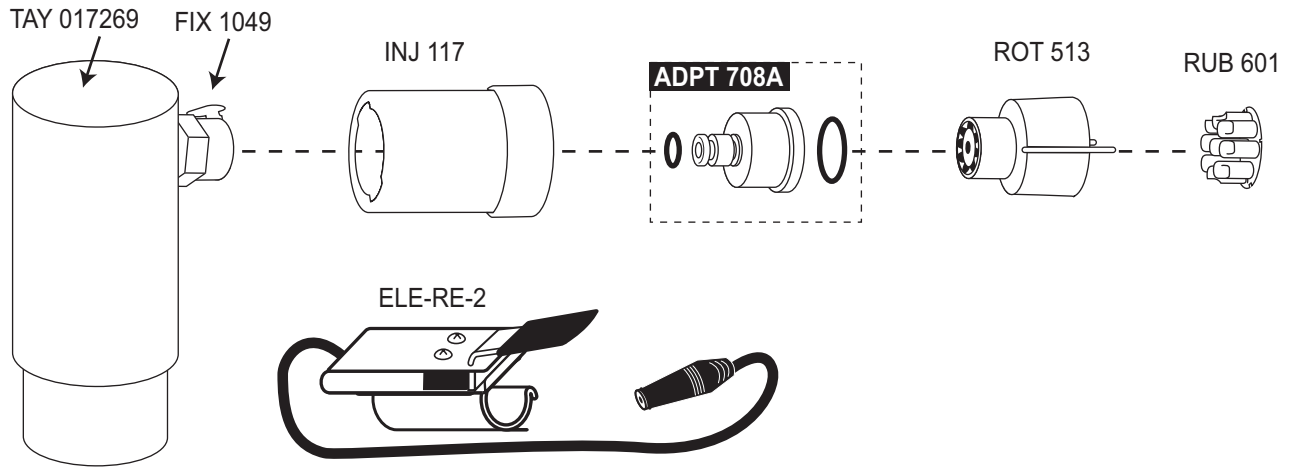


Flavor Burst™

ADPT TY80S-HG4 Adapter Kit for Freezer Models with Spinner Housing

This adapter kit is designed for use with Taylor® freezer models with spinner housing (I.E. 60, H60, and 62). For more information, please contact your local Flavor Burst™ distributor.

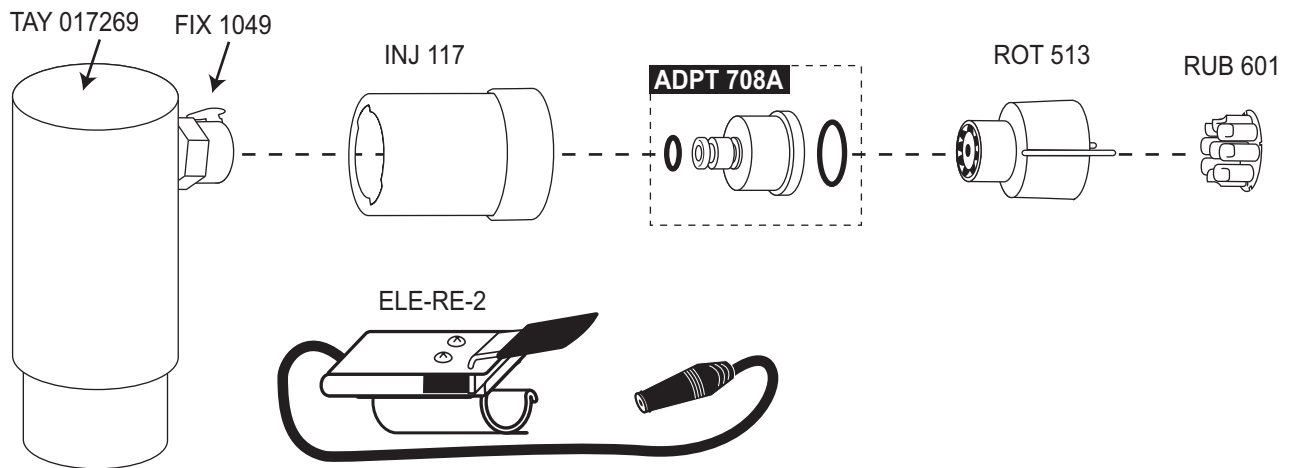


*For additional information refer to the current Operations Manual or contact your local Flavor Burst™ distributor.
092105

Flavor Burst™

ADPT TY80S-HG4 Adapter Kit for Freezer Models with Spinner Housing

This adapter kit is designed for use with Taylor® freezer models with spinner housing (I.E. 60, H60, and 62). For more information, please contact your local Flavor Burst™ distributor.



*For additional information refer to the current Operations Manual or contact your local Flavor Burst™ distributor.
092105