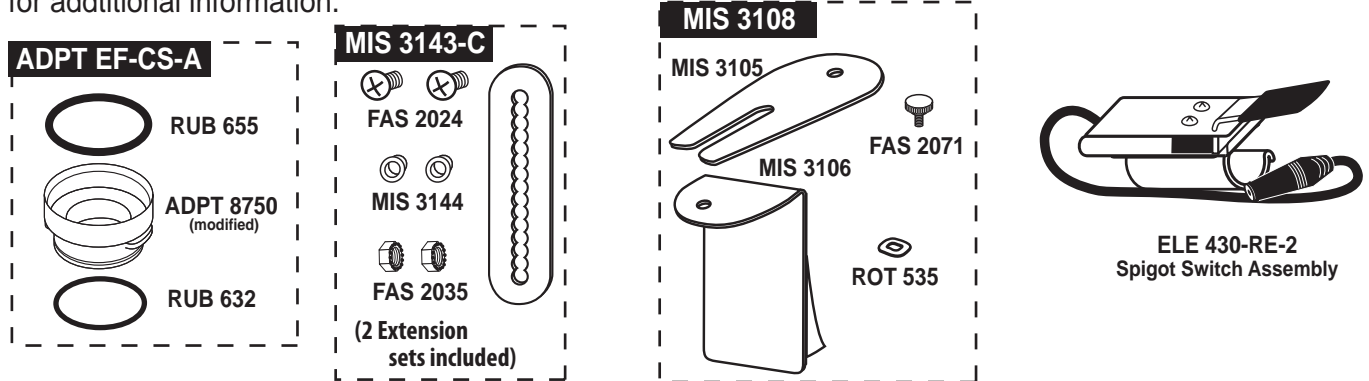


Flavor Burst™

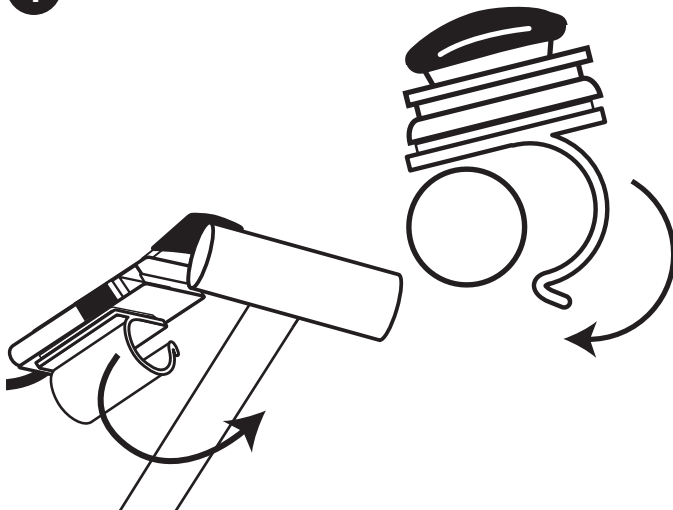
ADPT EF-CS-80 Electofreeze® CS Adapter Kit

Assembly and Installation

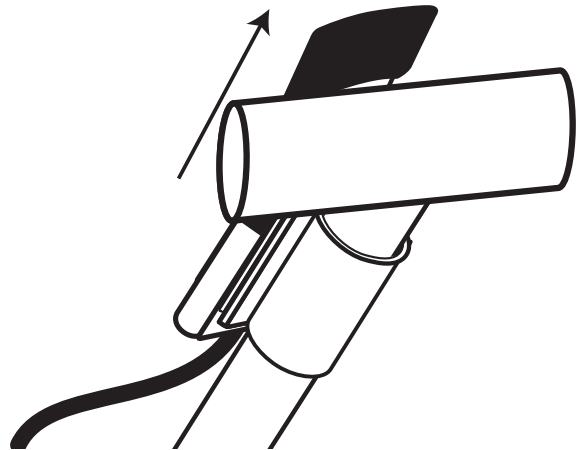
This Adapter Kit is designed for use with most Compact-Series Electofreeze® models. If you have a large Electofreeze® door spout or other special considerations, please contact your local Flavor Burst™ distributor for additional information.



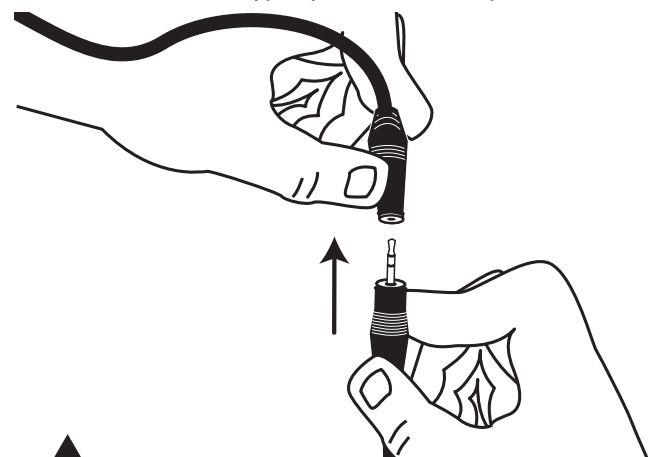
1 Rotate the Switch Assembly onto the draw-handle bar.



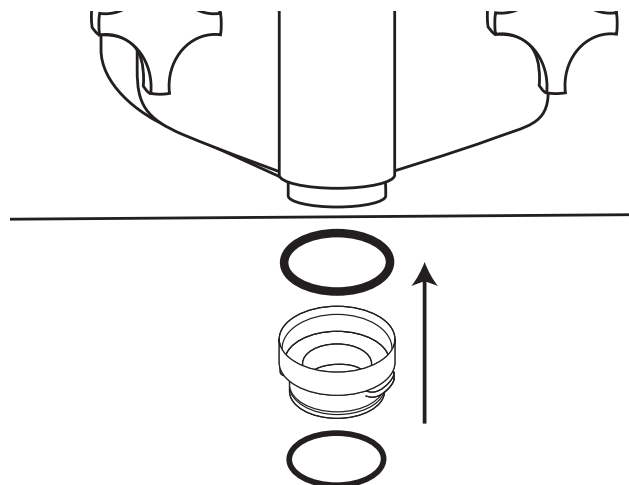
2 Position the Switch up towards the end of the draw-handle bar.



3 Be sure to fully engage the Spigot Switch jack to the Flavor Burst™ keypad jack for normal operation.



4 Install the black o-rings on the Adapter in their proper positions and then attach the adapter assembly to the freezer door spout.

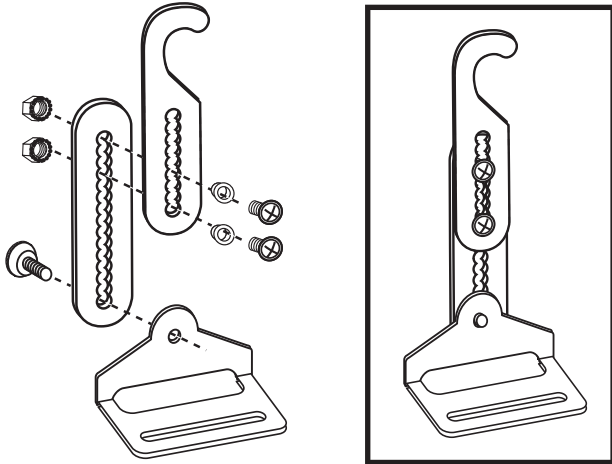


NOTE: DO NOT NEGLECT TO CHECK THIS CONNECTION DURING DAILY STARTUP.

A MIS 3143C SUSPENSION BRACKET EXTENSION

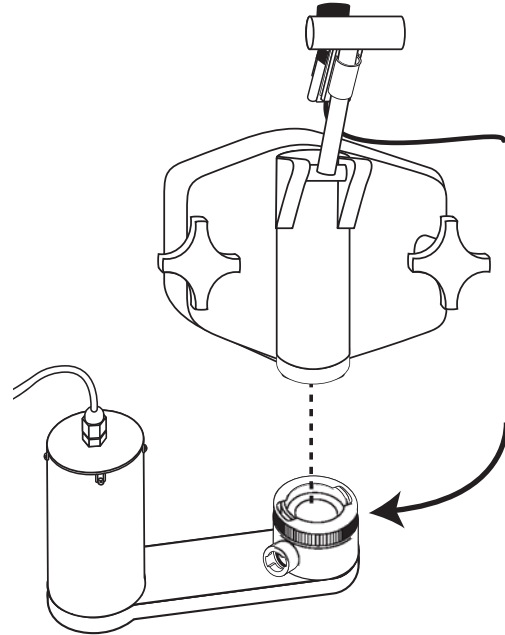
This kit comes with two options for an Injector Mounting Bracket due to freezer model variations. When possible, use the suspension bracket included with your unit and the extensions provided. If the suspension bracket is not suitable for your freezer, install the MIS 3108 mounting bracket in section B.

- 5** If your Injector Assembly has a Suspension Bracket, reassemble the bracket using the extension bracket and fasteners as shown.

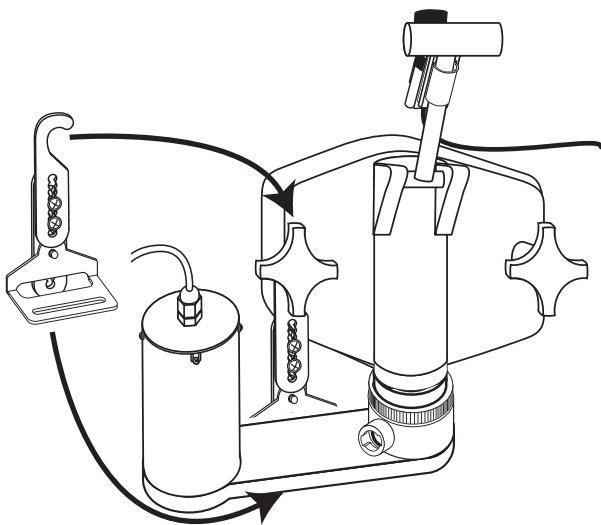


NOTE: IF MORE HEIGHT IS NEEDED, USE BOTH OF THE EXTENSION BRACKET KITS WITH THE SUSPENSION BRACKET.

- 6** Attach the Injector Assembly to the spout adapter so that the Injector locking ring covers the adapter tabs. Turn the locking ring 1/4 of a turn to secure.



- 7** Hang the Suspension Bracket Assembly on the hand knob of the freezer nearest the Injector Assembly. Position the Bracket so that the bottom plate is underneath the Injector Assembly and the threaded post slides through the bracket plate slot.



- 8** Using the adjustment screws, lengthen or shorten the bracket so that it supports the Injector Assembly in a level position. Also, install the Gear Box thumb nut onto the threaded post of the Gear Box. Tighten the screws and knob to complete the installation.

